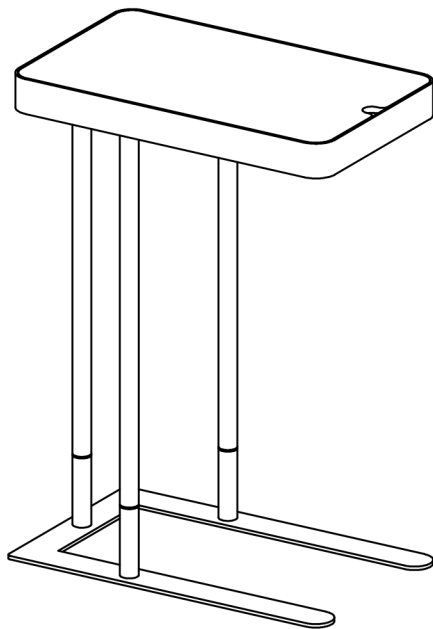


ASSEMBLY INSTRUCTIONS

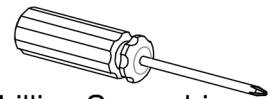


TOOLS REQUIRED



Allen Wrench

(Included)



Phillips Screwdriver

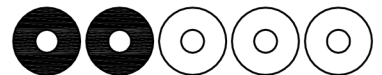
(Not Included)



2 - People

Recommended

ASSEMBLY RATING



EASY —————> DIFFICULT

The Assembly Rating is a 5-point system showing the level of effort needed to assemble a specific product.



CHECK BEFORE STARTING

Are you missing anything?

Double-check all parts, hardware and accessories listed on Page 6 are accounted for.

Check out our Quick Tips!

We recommend reviewing the pre-assembly handouts. Even experts need a refresher now and then!

Should we send any replacements?

Are there any irregularities or flaws in the parts? We can send replacements!

Prep Time!

Please review the assembly instructions and all diagrams prior to assembling. Arrange parts as recommended on Page 7 and group identical hardware together to make assembling easier.

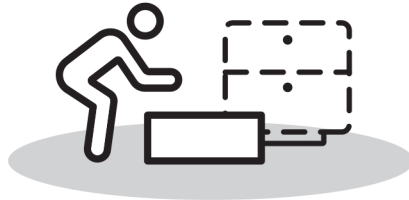
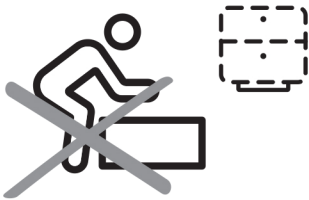
PRE ASSEMBLY INTRODUCTION

We understand building ready-to-assemble furniture can be a challenging experience for some. To help avoid confusion, we have provided some helpful tips that may speed up the process.



Teamwork

ALWAYS have at least two people to help with transporting and assembling the product to avoid potential injury and/or damage.



Suitable Location

Assembling near the area of the intended location is highly recommended.



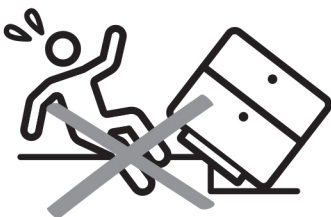
Sufficient Space

Make sure you have enough space to move around during the assembly.



Avoid Scratches

Use cardboard, blankets or a carpeted area while assembling furniture to prevent scratches.



Flat Surface

Make sure the furniture rests on a flat and level surface with each leg evenly touching the floor.

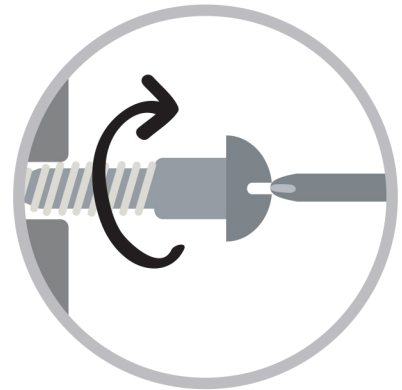
ASSEMBLY AND CARE ADVICE



FAILURE TO FOLLOW THE GUIDELINES BELOW MAY RESULT IN INJURY AND/OR PROPERTY DAMAGE.



Position each part correctly and insert screws or bolts into their respective holes.



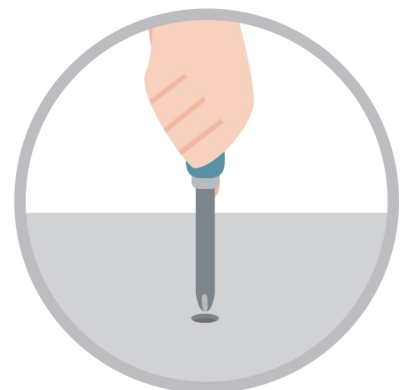
Turn clockwise to tighten and only tighten when step is completed or when instructed to do so.



Use the appropriate hand tools or power tools for assembly. Select steps, such as tightening screws and/or bolts, may require hand tools to avoid causing damage during assembly.



Save the instructions and store any supplied tools for later maintenance.



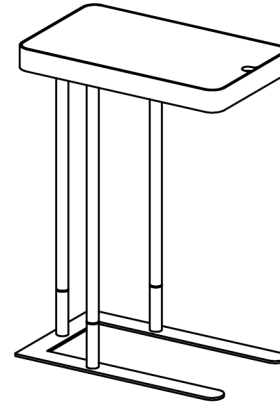
After two weeks, check and tighten any loose hardware and repeat again every six months thereafter.

IT IS THE USER'S RESPONSIBILITY TO MAINTAIN THE FURNITURE. THE HARDWARE MAY LOOSEN OVER TIME AND MAY CAUSE THE FURNITURE TO BE WOBBLY AND UNABLE TO SUPPORT ITS INTENDED WEIGHT CAPACITY. THIS MAY LEAD TO COLLAPSE AND MAY CAUSE SERIOUS INJURY.

ADJUSTED SIDE TABLE



- Please keep instructions for future reference.
- Check the quantity and irregularity of parts and hardware before you start.



PARTS

#1 1pc

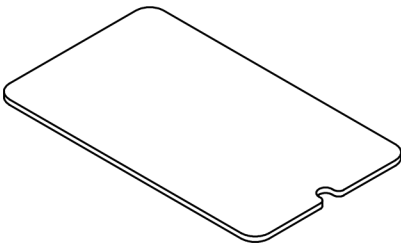
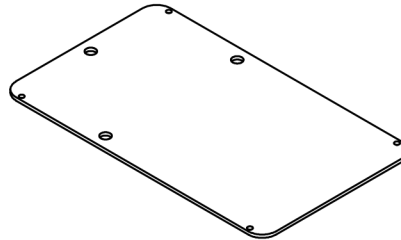


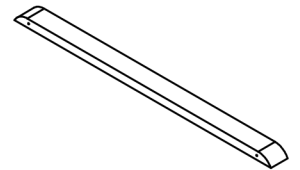
Table Top

#2 1pc



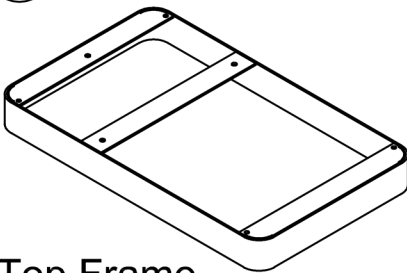
Bottom Board

#3 2pcs



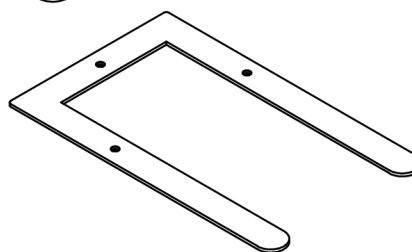
Side Panel

#4 1pc



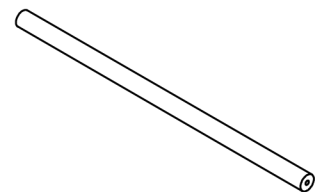
Top Frame

#5 1pc



Bottom Frame

#6 3pcs



Leg Tube

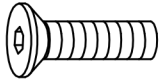
#7 3pcs



Adjusted Leg

HARDWARE

#A 6pcs



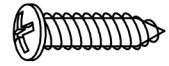
Bolt 1/4" * 32mm

#B 3pcs



Full-Thread Bolt
1/4" * 38mm

#C 4pcs



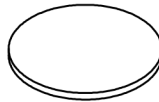
Screw 4mm*21mm

#D 3pcs



Washer

#E 4pcs



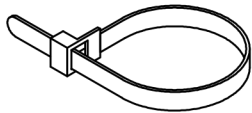
Foam Pad ϕ 40mm

#F 3pcs



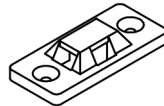
Foam Pad ϕ 15mm

#G 1pc



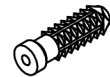
Safety Strap

#H 1pc



Plastic Bracket

#I 2pcs



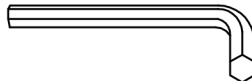
Anchor

#J 2pcs



Screw

#K 1pc

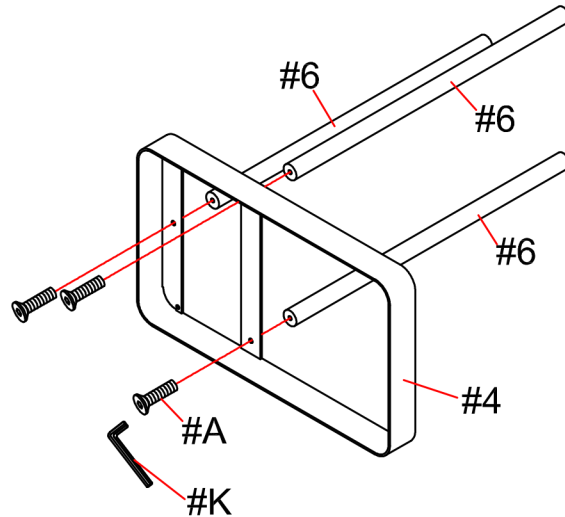


Allen Wrench

ASSEMBLY INSTRUCTIONS

1

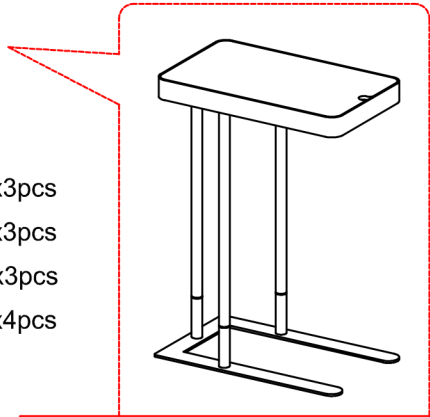
- Part #4 x1pc
- Part #6 x3pcs
- Hardware #A x3pcs



OR

2a

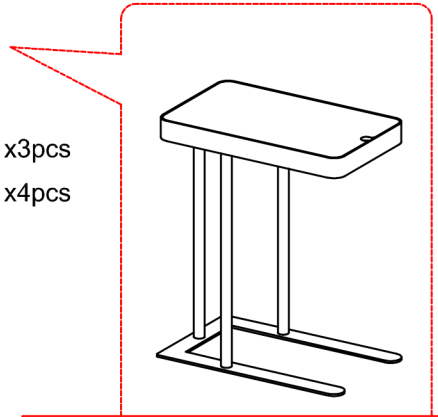
- Part #5 x1pc
- Part #7 x3pcs
- Hardware #A x3pcs
- Hardware #B x3pcs
- Hardware #D x3pcs
- Hardware #E x4pcs



Use step 2a to assemble table higher in height.

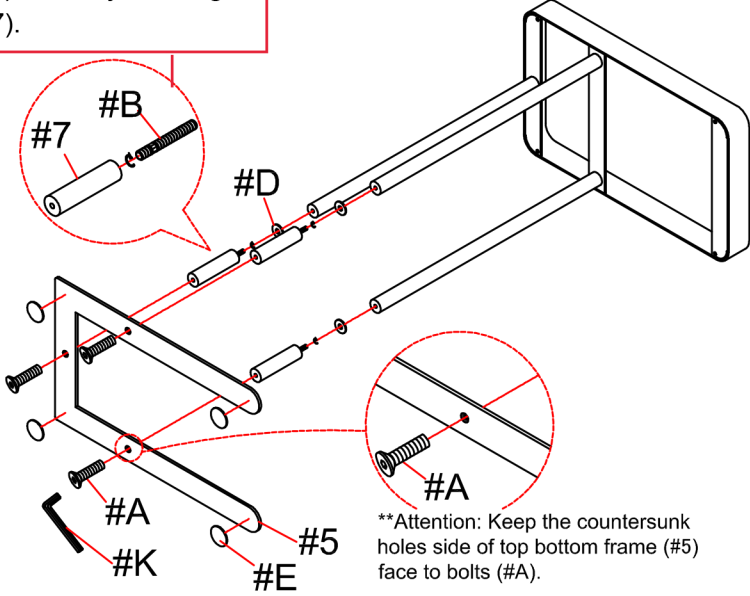
2b

- Part #5 x1pc
- Hardware #A x3pcs
- Hardware #E x4pcs



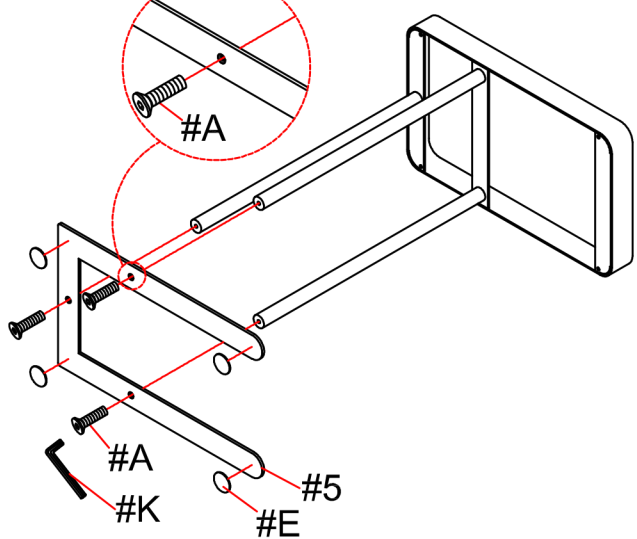
Use step 2b to assemble table lower in height.

Use the shorter threaded side of the threaded bolt (#b) onto adjusted leg (#7).



**Attention: Keep the countersunk holes side of top bottom frame (#5) face to bolts (#A).

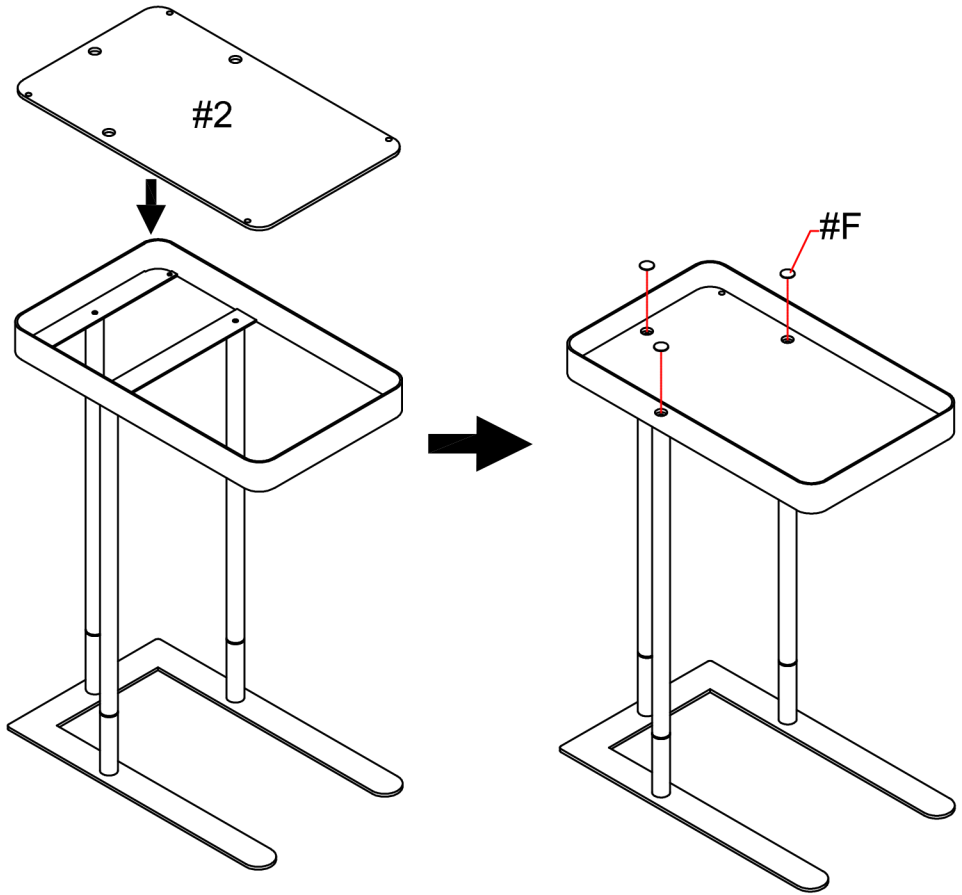
**Attention: Keep the countersunk holes side of top bottom frame (#5) face to bolts (#A).



ASSEMBLY INSTRUCTIONS

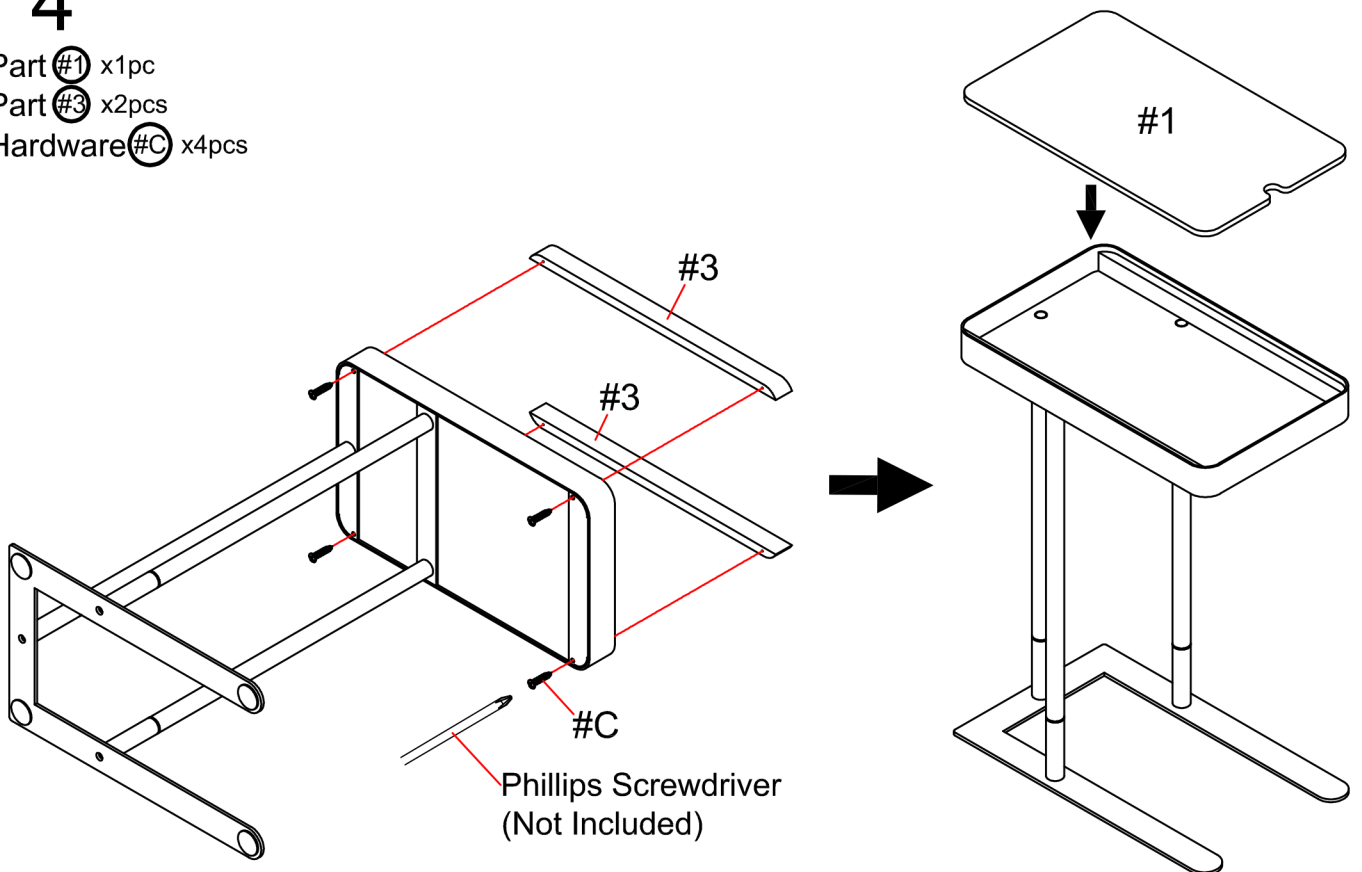
3

Part #2 x1pc
Hardware #F x3pcs



4

Part #1 x1pc
Part #3 x2pcs
Hardware #C x4pcs



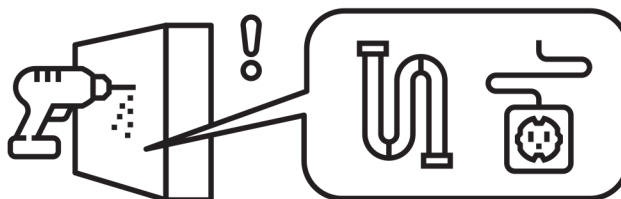
ASSEMBLY INSTRUCTIONS

Wall Mounting and Fixing



EXPANSION WALL ANCHOR

Our provided expansion wall anchors are only suitable for masonry walls, such as drywall, plaster or concrete, and are best for holding lightweight items or for anti-tip prevention. If you are unsure of the correct wall anchor to use with the product, please request professional guidance. Liability for product damage or failure due to using the incorrect anchors will fall on the installer.

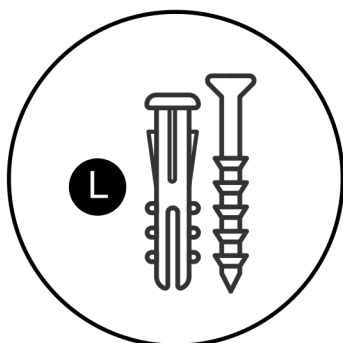


CHECK BEFORE PROCEEDING

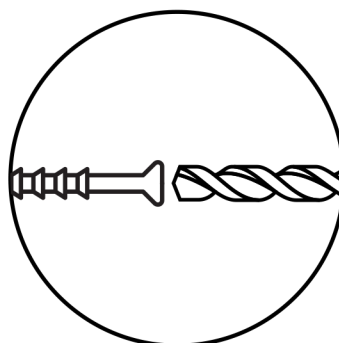
Prior to drilling or hammering, please check for wires or pipes. We recommend using a stud finder to locate a stud, which will offer more appropriate resistance and hold more weight.

QUICK TIPS

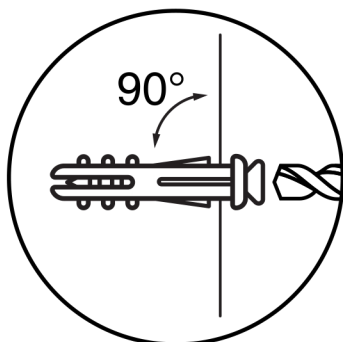
1. If unsure of the proper size, always choose a larger screw and wall anchor.



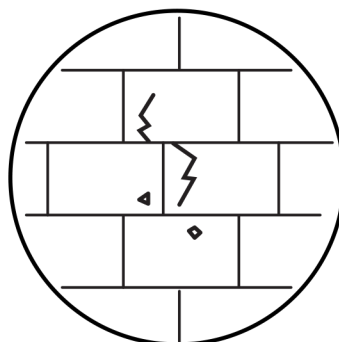
2. Match the drill bit to the wall anchor and hole size.



3. Only drill horizontally. Do not force the drill or enlarge the hole for the wall anchor.



4. Take extra care when drilling into high walls or ceramic tiles. Wall anchors should be a tight fit for the hole. Never use wall anchors in ceilings.



MAINTENANCE



We recommend a yearly check to see if the wall anchor or screw has loosened. If so, please remove the existing wall anchor and screw, and use a new anchor.