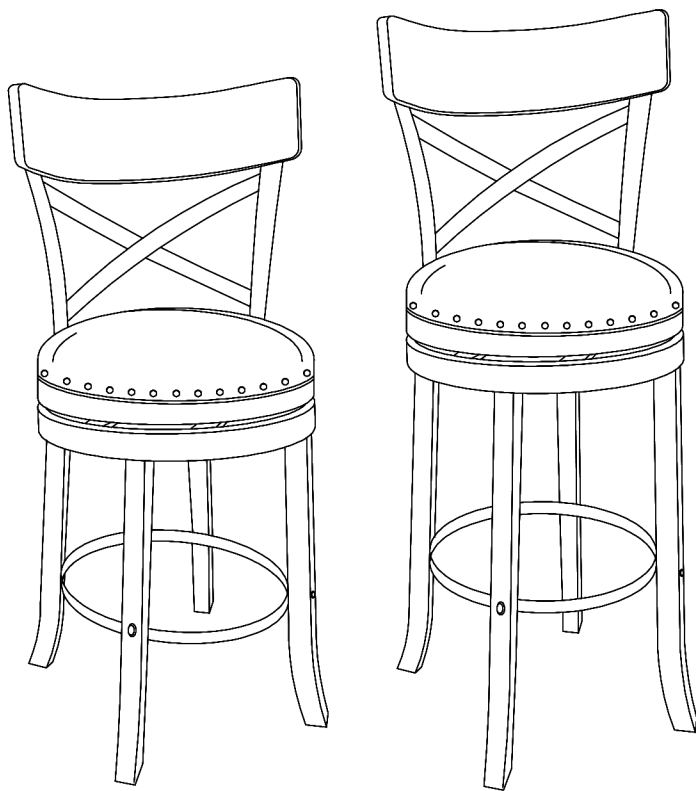


ASSEMBLY INSTRUCTIONS



TOOLS REQUIRED



Allen Wrench

(Included)



Phillips
Screwdriver

(Not Included)



**2 - People
Recommended**

ASSEMBLY RATING



EASY ————— DIFFICULT

The Assembly Rating is a 5-point system showing the level of effort needed to assemble a specific product.



CHECK BEFORE STARTING

Are you missing anything?

Double-check all parts, hardware and accessories listed on Page 5 are accounted for.

Check out our Quick Tips!

We recommend reviewing the pre-assembly handouts. Even experts need a refresher now and then!

Should we send any replacements?

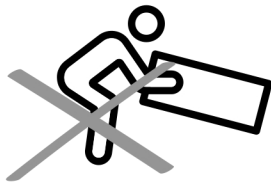
Are there any irregularities or flaws in the parts? We can send replacements!

Prep Time!

Please review the assembly instructions and all diagrams prior to assembling.

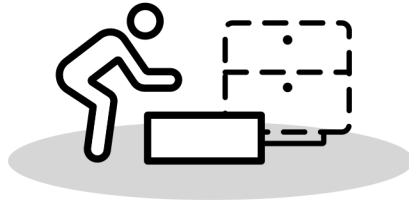
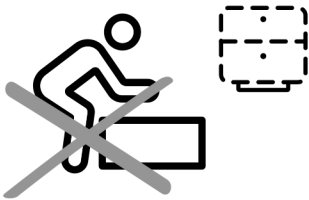
PRE ASSEMBLY INTRODUCTION

We understand building ready-to-assemble furniture can be a challenging experience for some. To help avoid confusion, we have provided some helpful tips that may speed up the process.



Teamwork

ALWAYS have at least two people to help with transporting and assembling the product to avoid potential injury and/or damage.



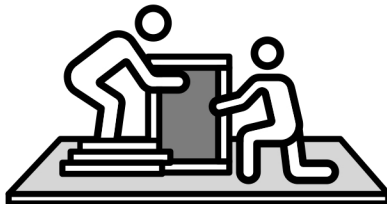
Suitable Location

Assembling near the area of the intended location is highly recommended.



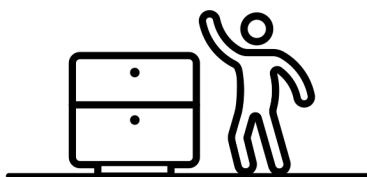
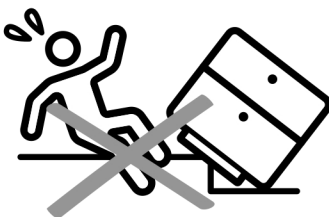
Sufficient Space

Make sure you have enough space to move around during the assembly.



Avoid Scratches

Use cardboard, blankets or a carpeted area while assembling furniture to prevent scratches.



Flat Surface

Make sure the furniture rests on a flat and level surface with each leg evenly touching the floor.

ASSEMBLY AND CARE ADVICE



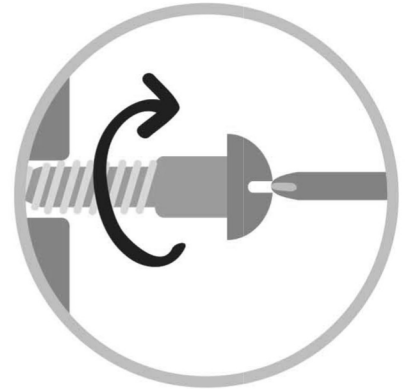
FAILURE TO FOLLOW THE GUIDELINES BELOW MAY RESULT IN INJURY AND/OR PROPERTY DAMAGE.



Position each part correctly and insert screws or bolts into their respective holes.



Use the appropriate hand tools or power tools for assembly. Select steps, such as tightening screws and/or bolts, may require hand tools to avoid causing damage during assembly.



Turn clockwise to tighten and only tighten when step is completed or when instructed to do so.



Save the instructions and store any supplied tools for later maintenance.



After two weeks, check and tighten any loose hardware and repeat again every six months thereafter.

IT IS THE USER'S RESPONSIBILITY TO MAINTAIN THE FURNITURE. THE HARDWARE MAY LOOSEN OVER TIME AND MAY CAUSE THE FURNITURE TO BE WOBBLY AND UNABLE TO SUPPORT ITS INTENDED WEIGHT CAPACITY. THIS MAY LEAD TO COLLAPSE AND MAY CAUSE SERIOUS INJURY.

360 Degree Swivel Barstool

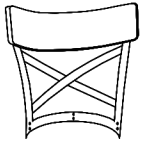


- Please keep instructions for future reference.
- Check the quantity and irregularity of parts and hardware before you start.



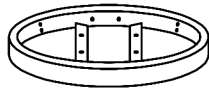
PARTS

#1 1pc x2



Stool Back

#2 1pc x2



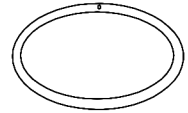
Seat Base

#3 1pc x2



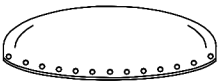
Support Ring With Swivel Plate

#4 1pc x2



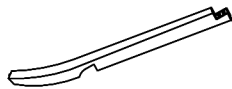
Metal Footrest

#5 1pc x2



Cushion Seat

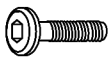
#6 4pcs x2



Stool Leg

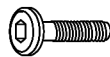
HARDWARE

#A 6pcs x2



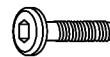
JCBC Bolt
M6 x 15mm

#B 8pcs x2



JCBC Bolt
M6 x 30mm

#C 8pcs x2



JCBC Bolt
M6 x 40mm

#D 12pcs x2



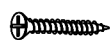
M6 Spring Washer

#E 12pcs x2



M6 Flat Washer

#F 4pcs x2



CB Screw
M4 x 32mm

#G 1pc



M4 Allen Wrench

ASSEMBLY INSTRUCTIONS

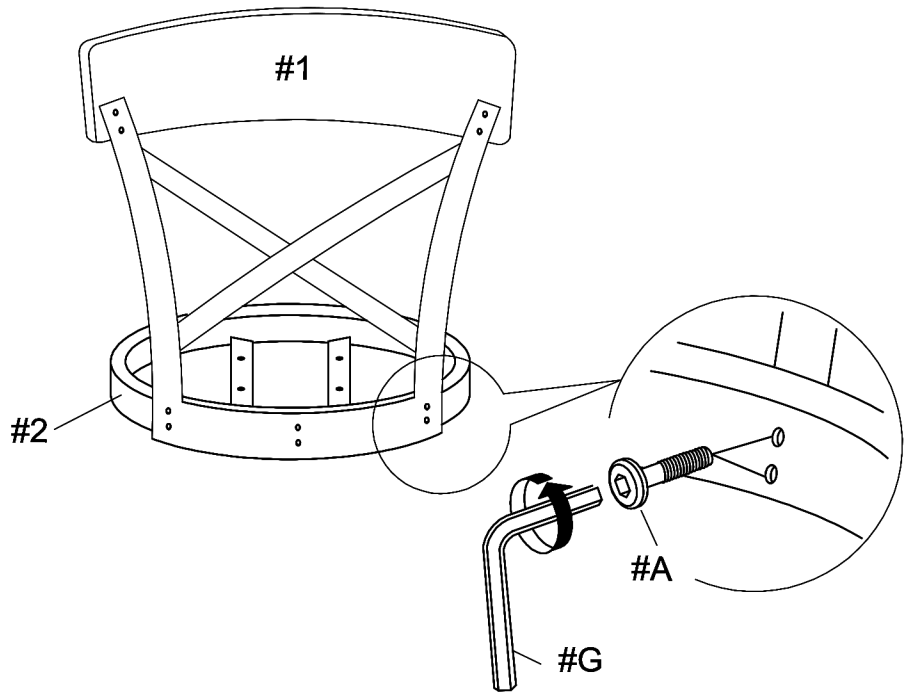
1

Part (#1) x 1pc

Part (#2) x 1pc

Hardware (#A) x 6pcs

Align seat base (#2) to the stool back (#1), then secure by using bolts (#A).

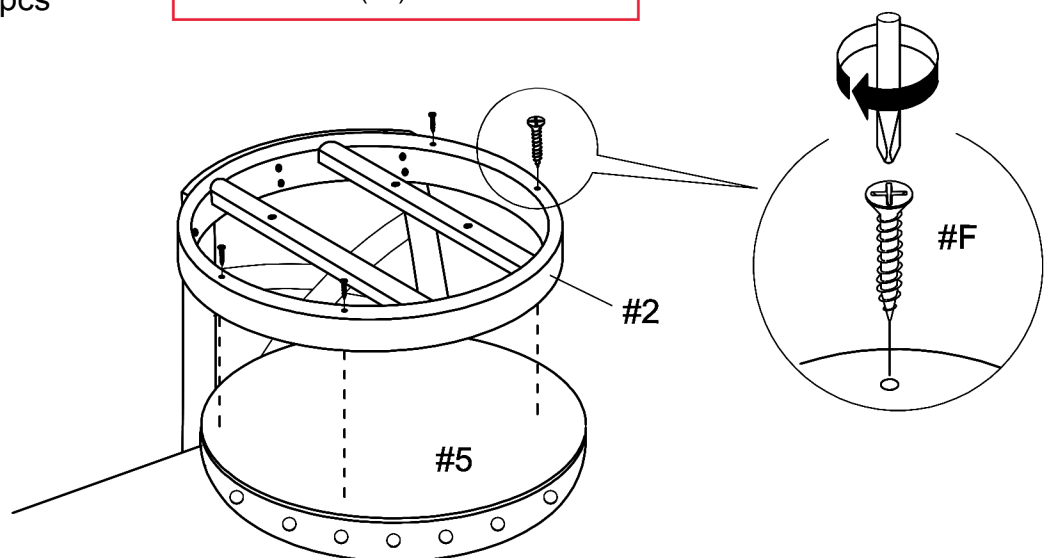


2

Part (#5) x 1pc

Hardware (#F) x 4pcs

Align cushion (#5) to the seat base (#2), then secure by using screws (#F). There will be no pre-drilled holes on the cushion (#5).



ASSEMBLY INSTRUCTIONS

3

Part #3 x 1pc

Part #4 x 1pc

Part #6 x 4pcs

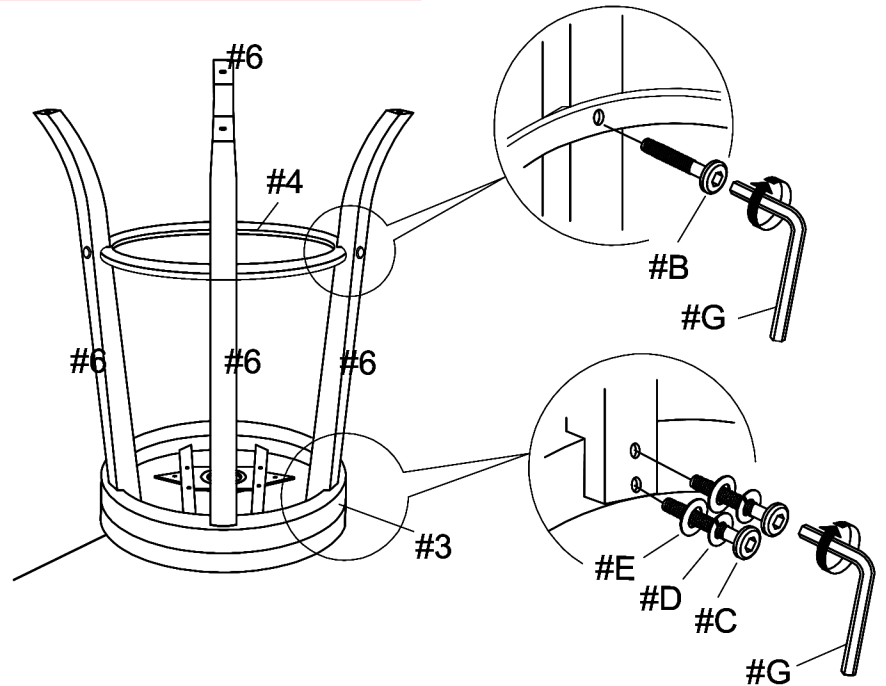
Hardware #B x 4pcs

Hardware #C x 8pcs

Hardware #D x 8pcs

Hardware #E x 8pcs

Align legs (#6) with footrest (#4) to the swivel plate (#3). Secure legs (#6) onto footrest (#4) by using bolts (#B), then secure legs (#6) to swivel plate (#3) by using bolts (#C) with washers (#D,E).



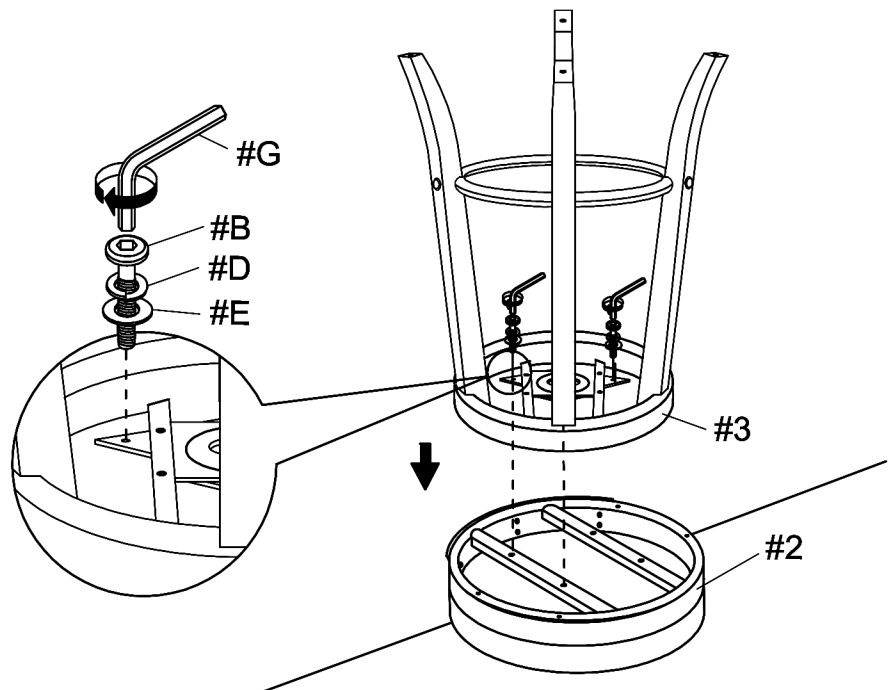
4

Hardware #B x 4pcs

Hardware #D x 4pcs

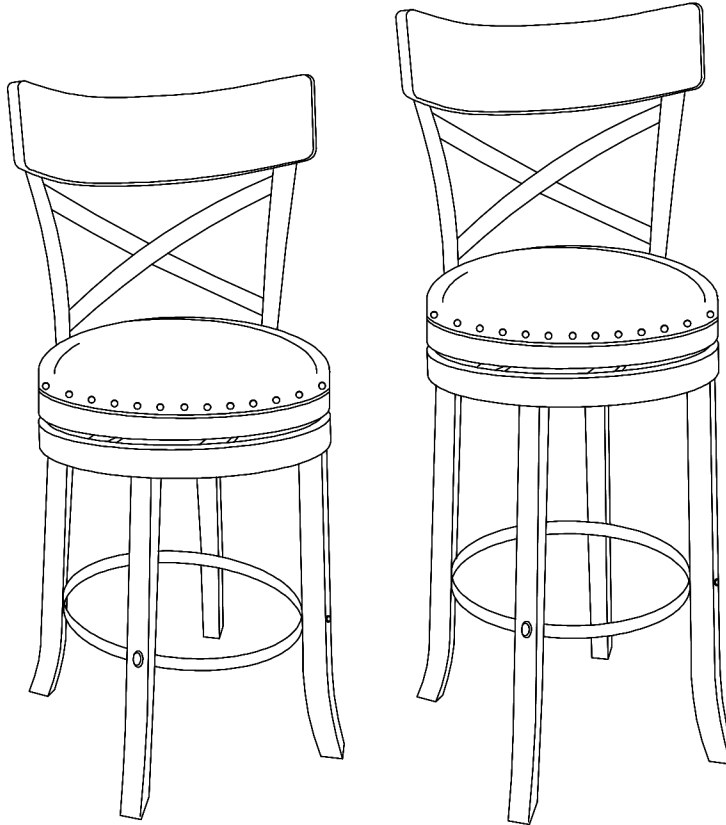
Hardware #E x 4pcs

Align swivel plate (#3) to the seat (#2), then secure by using bolts (#B) with washers (#D,E).



ASSEMBLY INSTRUCTIONS

5



ASSEMBLY COMPLETED



Please ensure the furniture rests on an even and flat surface. If the product wobbles or feels loose, double-check all bolts and/or screws are properly tightened and secured.



Keep this handy!

Please retain this instruction manual and any order-related information for future reference.



Lift, don't drag!

To avoid damage to product please always LIFT the product when transporting or adjusting the placement.