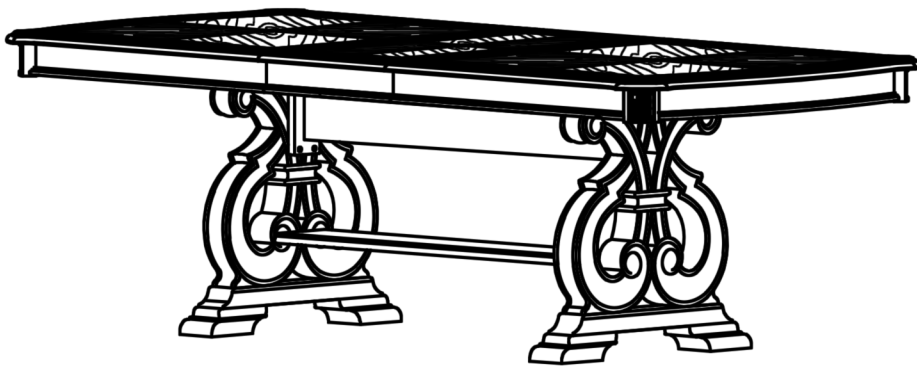


ASSEMBLY INSTRUCTIONS



TOOLS REQUIRED



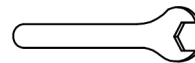
Allen Wrench

(Included)



Phillips Screwdriver

(Not Included)



Wrench

(Included)



2 - People
Recommended

ASSEMBLY RATING



EASY → DIFFICULT

The Assembly Rating is a 5-point system showing the level of effort needed to assemble a specific product.



CHECK BEFORE STARTING

Are you missing anything?

Double-check all parts, hardware and accessories listed on Page 6 are accounted for.

Check out our Quick Tips!

We recommend reviewing the pre-assembly handouts. Even experts need a refresher now and then!

Should we send any replacements?

Are there any irregularities or flaws in the parts? We can send replacements!

Prep Time!

Please review the assembly instructions and all diagrams prior to assembling. Arrange parts as recommended on Page 7 and group identical hardware together to make assembling easier.

PRE ASSEMBLY INTRODUCTION

We understand building ready-to-assemble furniture can be a challenging experience for some. To help avoid confusion, we have provided some helpful tips that may speed up the process.



Teamwork

ALWAYS have at least two people to help with transporting and assembling the product to avoid potential injury and/or damage.



Suitable Location

Assembling near the area of the intended location is highly recommended.



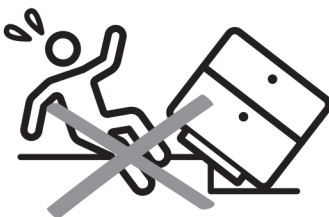
Sufficient Space

Make sure you have enough space to move around during the assembly.



Avoid Scratches

Use cardboard, blankets or a carpeted area while assembling furniture to prevent scratches.



Flat Surface

Make sure the furniture rests on a flat and level surface with each leg evenly touching the floor.

ASSEMBLY AND CARE ADVICE



FAILURE TO FOLLOW THE GUIDELINES BELOW MAY RESULT IN INJURY AND/OR PROPERTY DAMAGE.



Position each part correctly and insert screws or bolts into their respective holes.



Turn clockwise to tighten and only tighten when step is completed or when instructed to do so.



Use the appropriate hand tools or power tools for assembly. Select steps, such as tightening screws and/or bolts, may require hand tools to avoid causing damage during assembly.



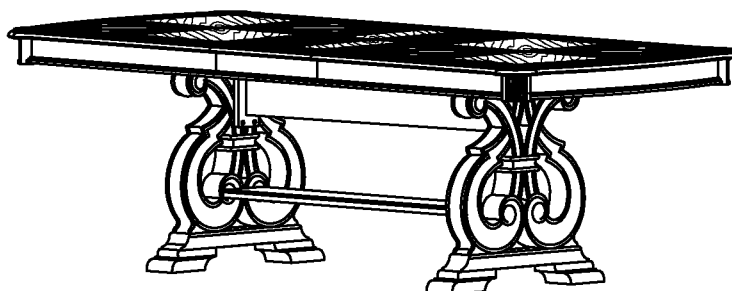
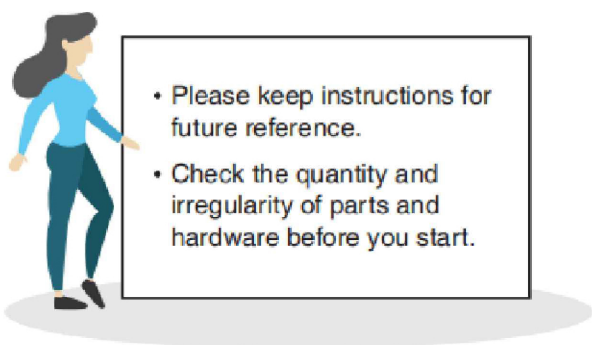
Save the instructions and store any supplied tools for later maintenance.



After two weeks, check and tighten any loose hardware and repeat again every six months thereafter.

IT IS THE USER'S RESPONSIBILITY TO MAINTAIN THE FURNITURE. THE HARDWARE MAY LOOSEN OVER TIME AND MAY CAUSE THE FURNITURE TO BE WOBBLY AND UNABLE TO SUPPORT ITS INTENDED WEIGHT CAPACITY. THIS MAY LEAD TO COLLAPSE AND MAY CAUSE SERIOUS INJURY.

DINING TABLE



PARTS

#1 1pc

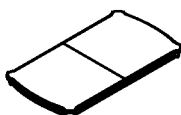


Table top

#2 1pc

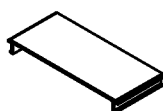
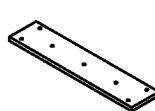


Table Leaf

#3 2pcs



Up Shelf

#4 2pcs



Table base

#5 1pc



Support Rail

#6 1pc



Bottom Rail

#7 2pcs



Connected plate

HARDWARE

#A 24pcs



Bolt $\text{\O}5/16'' \times 2''$

#B 24pcs



Lock washer
 $\text{\O}5/16''$

#C 24pcs



Flat washer
 $\text{\O}5/16''$

#D 1pc



Allen wrench
4 mm

#E 4pcs



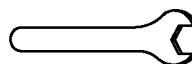
Threaded Stud
 $\text{\O}5/16'' \times 3-1/2''$

#F 4pcs



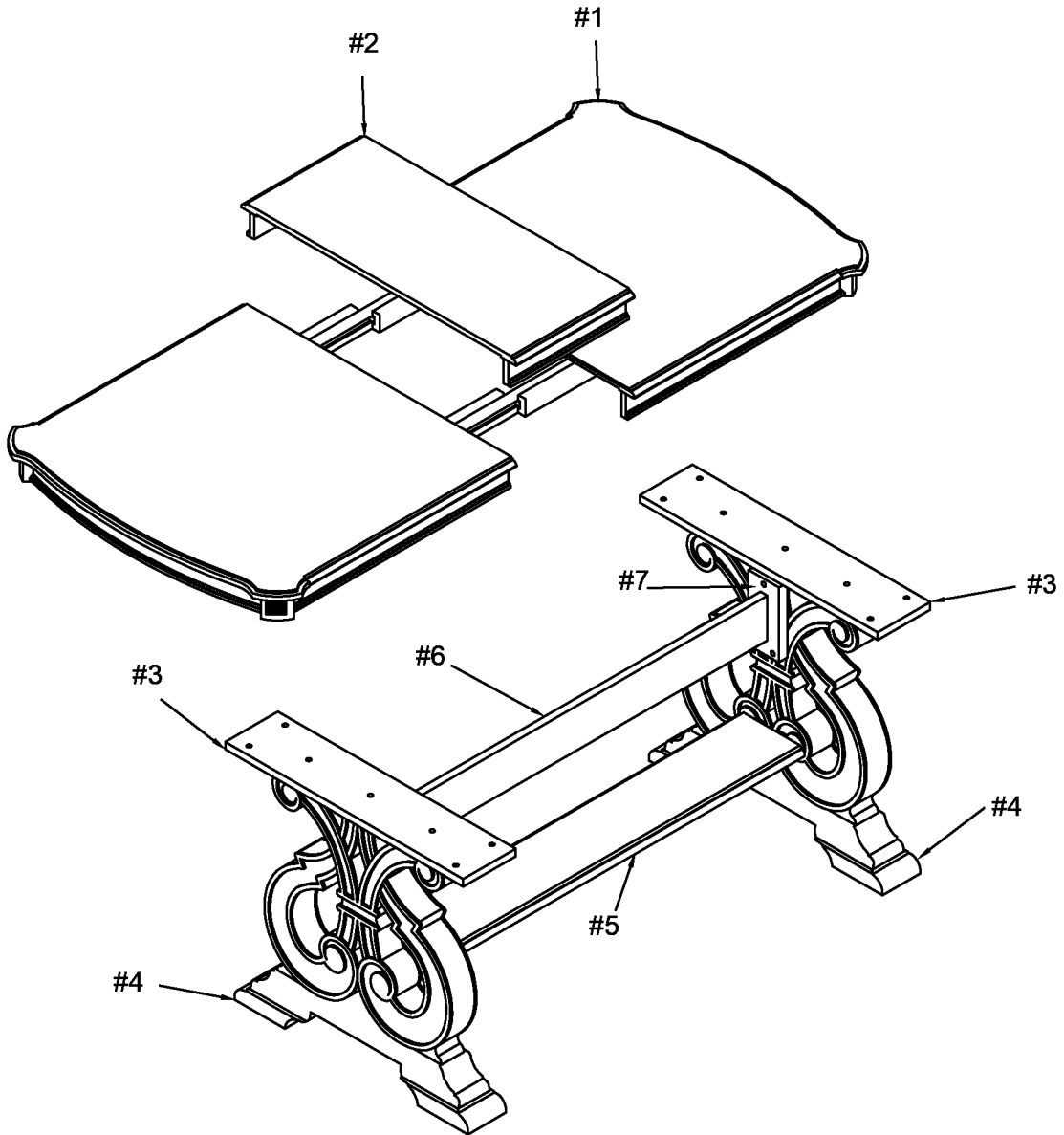
Hex Nut
 $\text{\O}5/16''$

#G 1pc



Wrench $\text{\O}12\text{mm}$

Exploded View

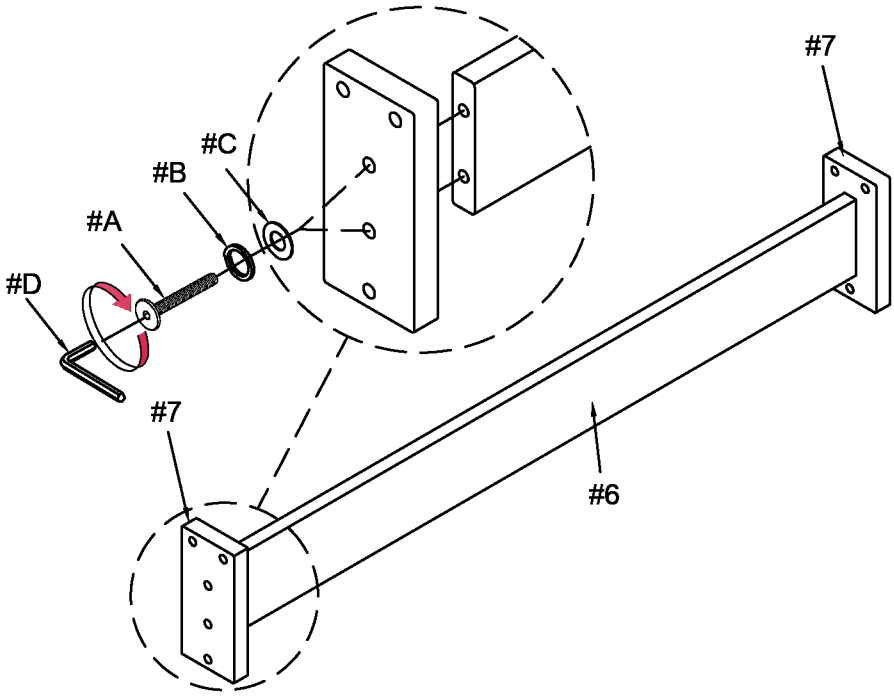


ASSEMBLY INSTRUCTIONS

1

- Part #6 x1pc
- Part #7 x2pcs
- Hardware #A x4pcs
- Hardware #B x4pcs
- Hardware #C x4pcs

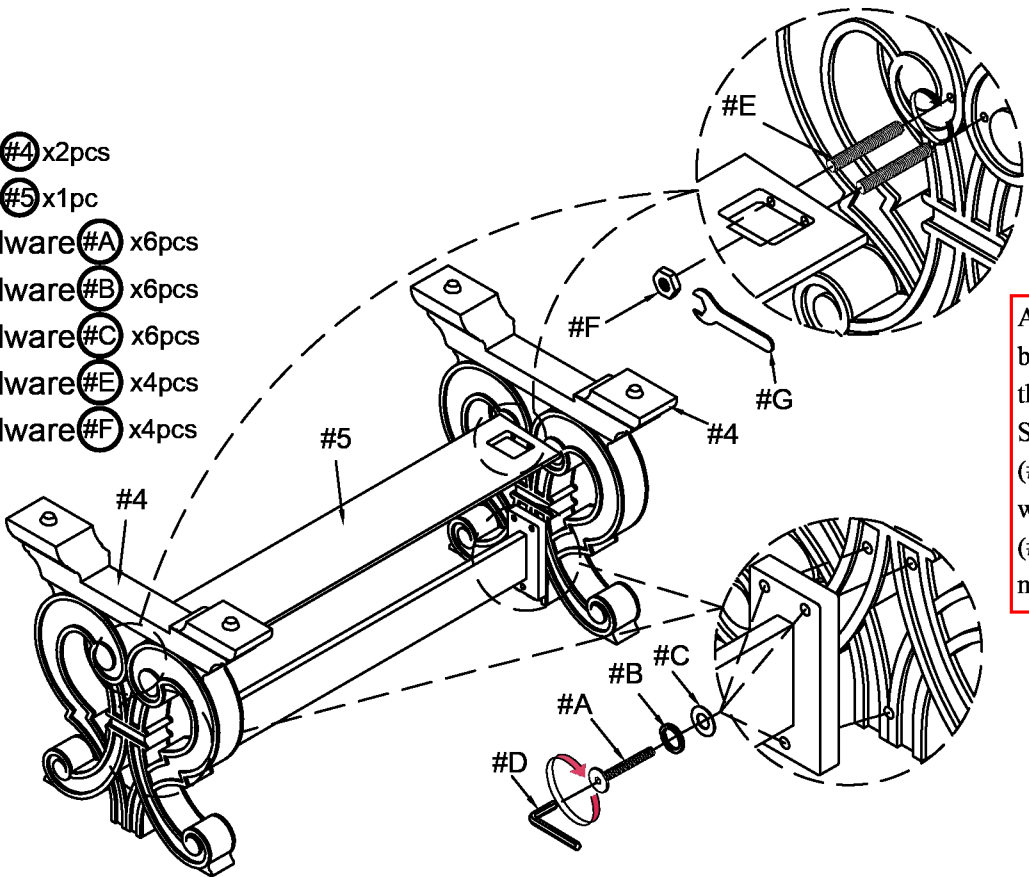
Align connected plates (#7) to the bottom rail (#6), then secure by using bolts (#A) with washers (#B,C).



2

- Part #4 x2pcs
- Part #5 x1pc
- Hardware #A x6pcs
- Hardware #B x6pcs
- Hardware #C x6pcs
- Hardware #E x4pcs
- Hardware #F x4pcs

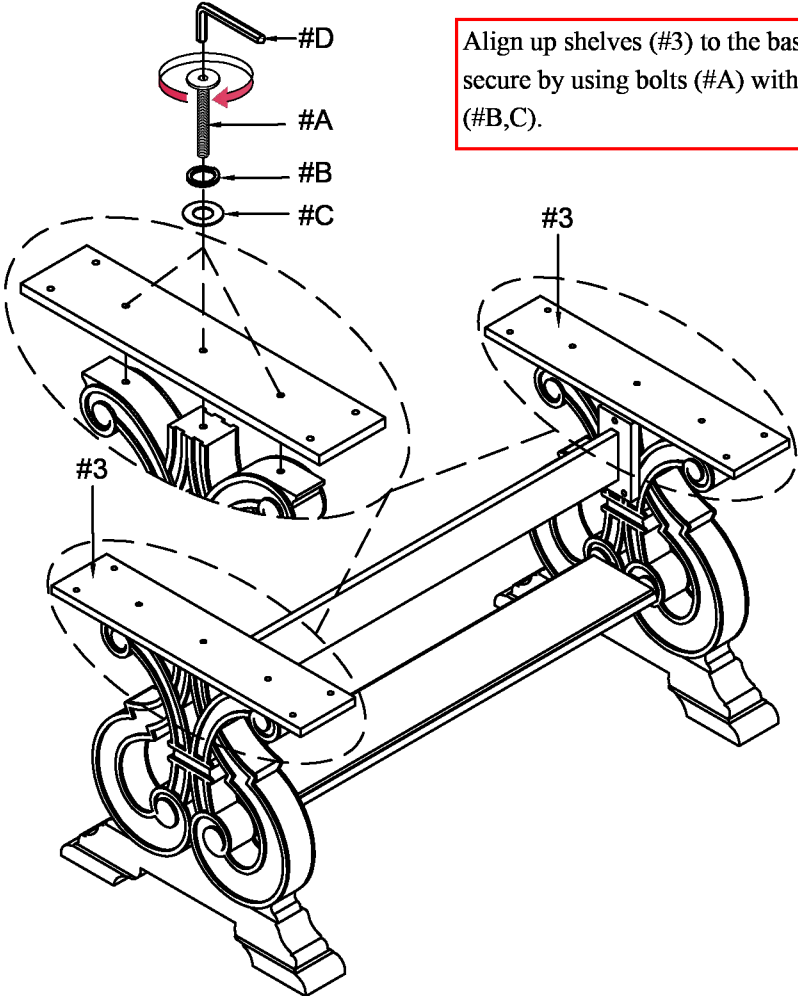
Attach threaded studs (#E) to the bases (#4). Align table bases (#4) to the support and bottom rails (#5,6). Secure bottom rails (#6) to bases (#4) by using bolts (#A) with washers (#B,C). Secure support rail (#5) to the bases (#4) by using hex nuts (#F).



ASSEMBLY INSTRUCTIONS

3

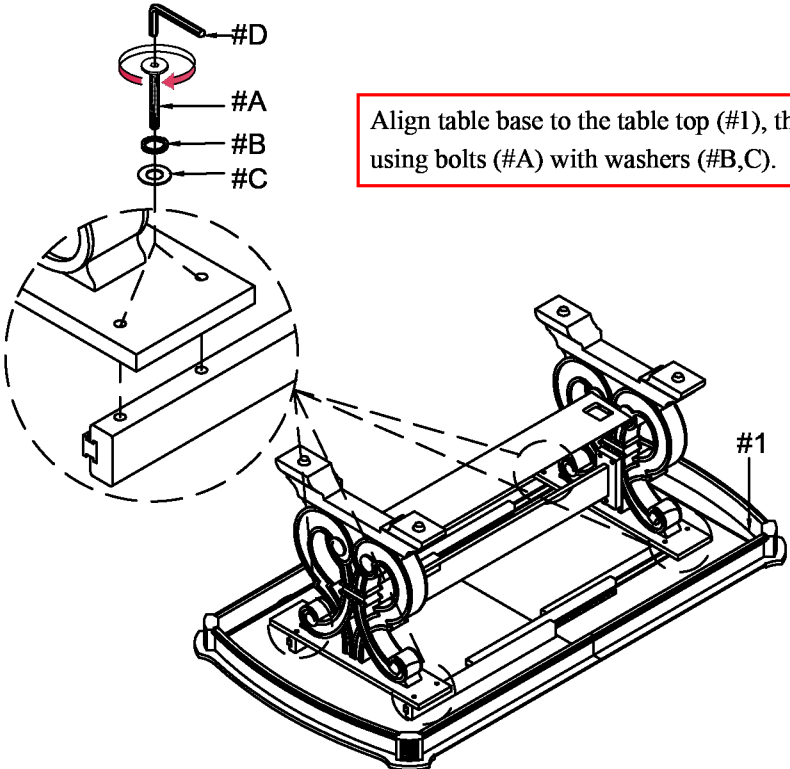
- Part #3 x2pcs
- Hardware #A x6pcs
- Hardware #B x6pcs
- Hardware #C x6pcs



Align up shelves (#3) to the bases, then secure by using bolts (#A) with washers (#B,C).

4

- Hardware #A x8pcs
- Hardware #B x8pcs
- Hardware #C x8pcs



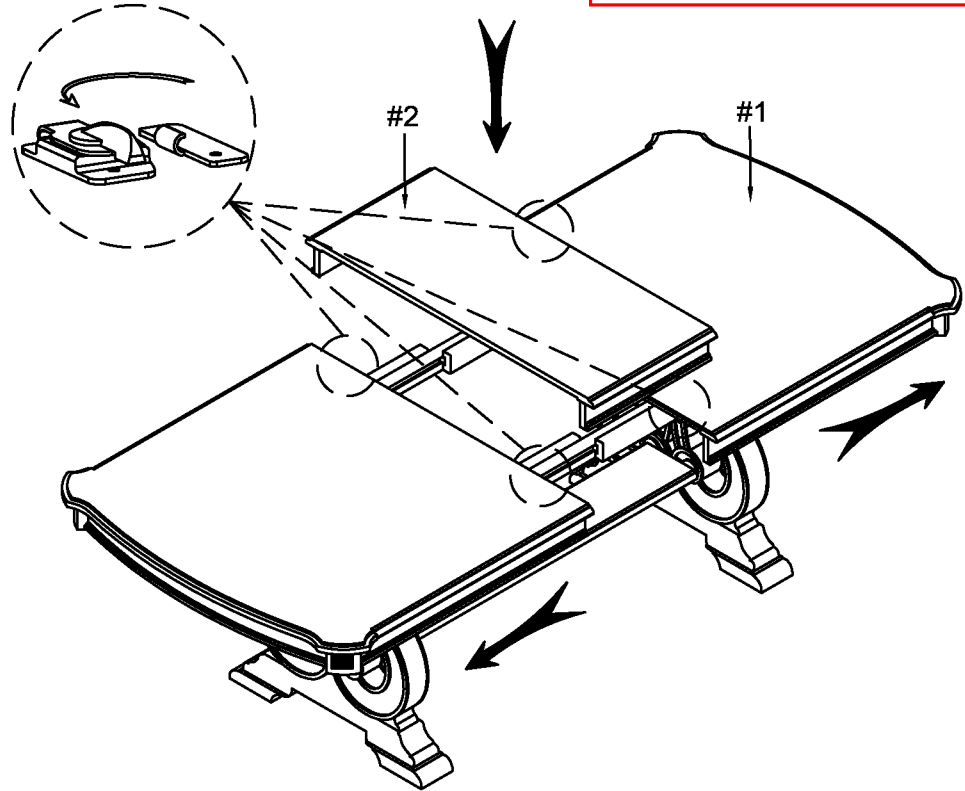
Align table base to the table top (#1), then secure by using bolts (#A) with washers (#B,C).

ASSEMBLY INSTRUCTIONS

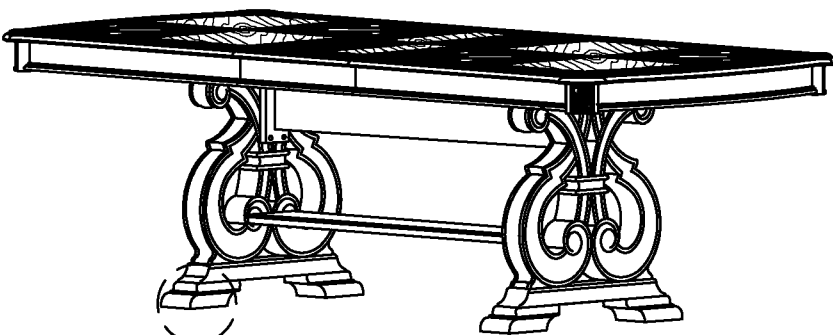
5

Part #2 x1pc

Unlock the table top by turning lever at the bottom of the table, then extend the table top. Align table leaf (#2) to the center of the table.



6



Adjust levelers on the base according to the ground level.

ASSEMBLY COMPLETED



Please ensure the furniture rests on an even and flat surface. If the product wobbles or feels loose, double-check all bolts and/or screws are properly tightened and secured.



Keep this handy!

Please retain this instruction manual and any order-related information for future reference.



Lift, don't drag!

To avoid damage to product please always LIFT the product when transporting or adjusting the placement.