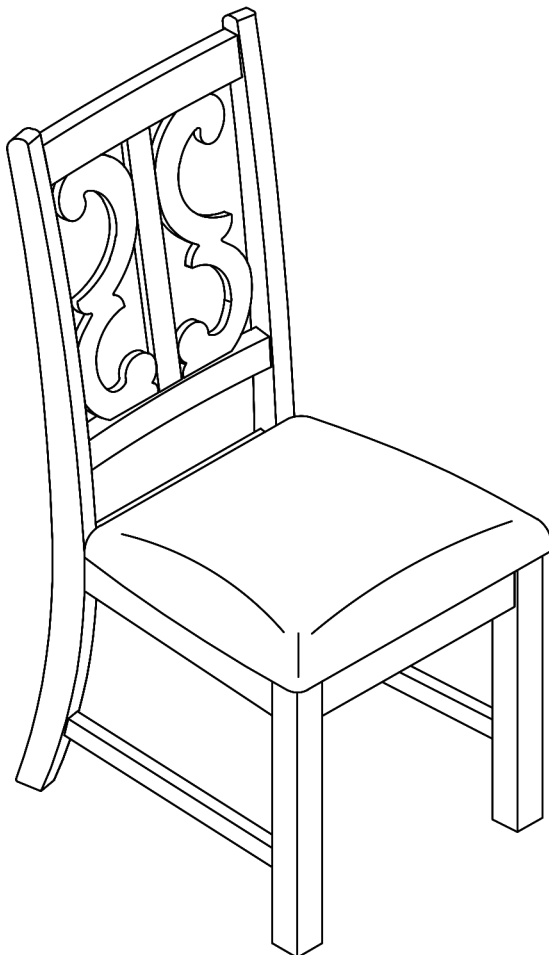


ASSEMBLY INSTRUCTIONS



TOOLS REQUIRED



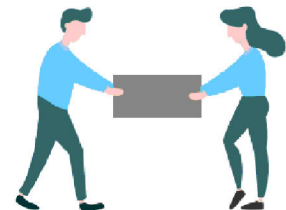
Allen Wrench

(Included)



**Phillips
Screwdriver**

(Not Included)



**2 - People
Recommended**

ASSEMBLY RATING



EASY —————▶ DIFFICULT

The Assembly Rating is a 5-point system showing the level of effort needed to assemble a specific product.



CHECK BEFORE STARTING

Are you missing anything?

Double-check all parts, hardware and accessories listed on Page 6 are accounted for.

Should we send any replacements?

Are there any irregularities or flaws in the parts? We can send replacements!

Check out our Quick Tips!

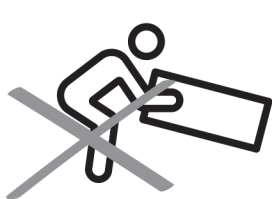
We recommend reviewing the pre-assembly handouts. Even experts need a refresher now and then!

Prep Time!

Please review the assembly instructions and all diagrams prior to assembling. Arrange parts as recommended on Page 7 and group identical hardware together to make assembling easier.

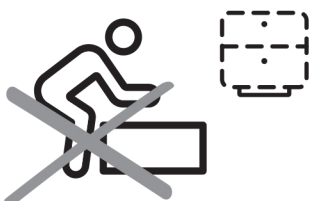
PRE ASSEMBLY INTRODUCTION

We understand building ready-to-assemble furniture can be a challenging experience for some. To help avoid confusion, we have provided some helpful tips that may speed up the process.



Teamwork

ALWAYS have at least two people to help with transporting and assembling the product to avoid potential injury and/or damage.



Suitable Location

Assembling near the area of the intended location is highly recommended.



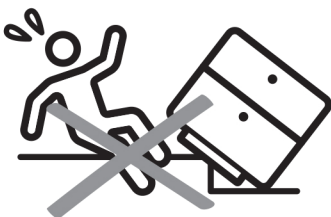
Sufficient Space

Make sure you have enough space to move around during the assembly.



Avoid Scratches

Use cardboard, blankets or a carpeted area while assembling furniture to prevent scratches.



Flat Surface

Make sure the furniture rests on a flat and level surface with each leg evenly touching the floor.

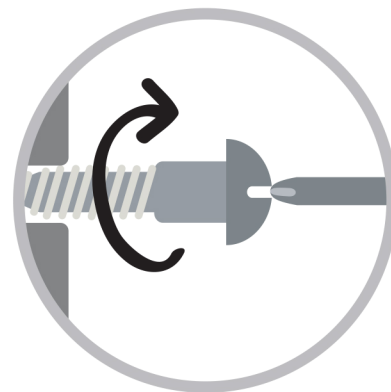
ASSEMBLY AND CARE ADVICE



FAILURE TO FOLLOW THE GUIDELINES BELOW MAY RESULT IN INJURY AND/OR PROPERTY DAMAGE.



Position each part correctly and insert screws or bolts into their respective holes.



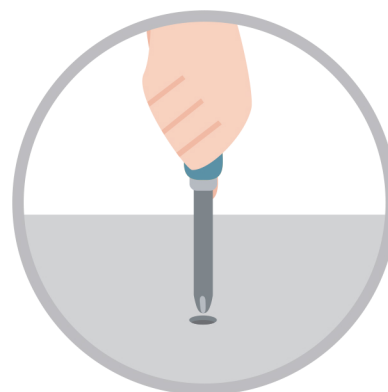
Turn clockwise to tighten and only tighten when step is completed or when instructed to do so.



Use the appropriate hand tools or power tools for assembly. Select steps, such as tightening screws and/or bolts, may require hand tools to avoid causing damage during assembly.



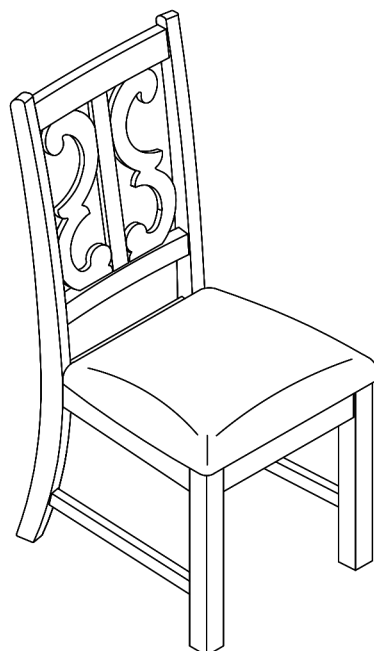
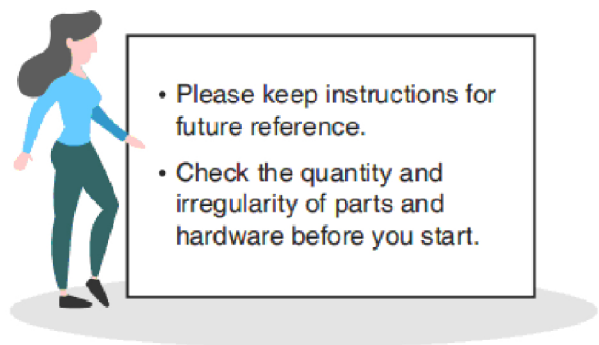
Save the instructions and store any supplied tools for later maintenance.



After two weeks, check and tighten any loose hardware and repeat again every six months thereafter.

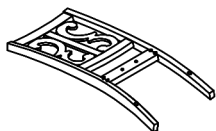
IT IS THE USER'S RESPONSIBILITY TO MAINTAIN THE FURNITURE. THE HARDWARE MAY LOOSEN OVER TIME AND MAY CAUSE THE FURNITURE TO BE WOBBLY AND UNABLE TO SUPPORT ITS INTENDED WEIGHT CAPACITY. THIS MAY LEAD TO COLLAPSE AND MAY CAUSE SERIOUS INJURY.

CHAIR



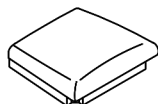
PARTS

#1 1pc x2



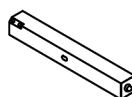
Chair Back

#2 1pc x2



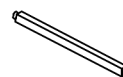
Cushion Seat

#3 2pcs x2



Front Leg (L/R)

#4 2pcs x2



Stretcher (L/R)

HARDWARE

#A 4pcs x2



Bolt Ø5/16" x 3-1/8"

#B 4pcs x2



Bolt Ø5/16" x 2-3/8"

#C 2pcs x2



Bolt Ø5/16" x 1-1/2"

#D 10pcs x2



Lock Washer
Ø5/16"x13mm

#E 10pcs x2



Flat Washer
Ø5/16"x19mm

#F 1pc x2

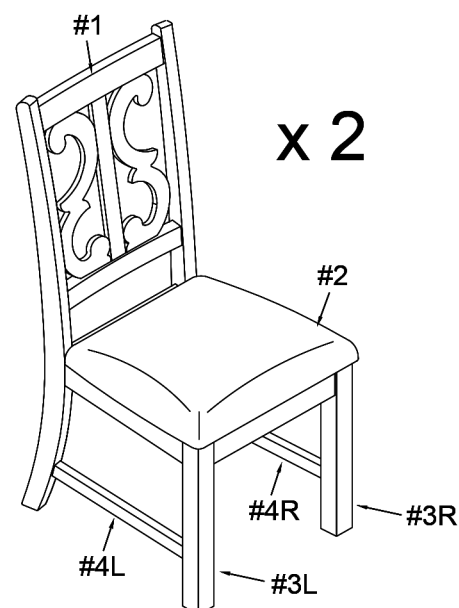


Allen Wrench M4

#G 4pcs x2



Screw #8 x 38mm

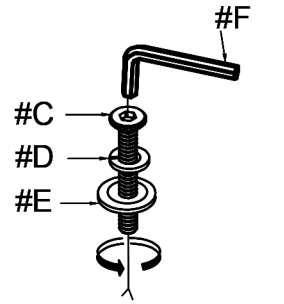
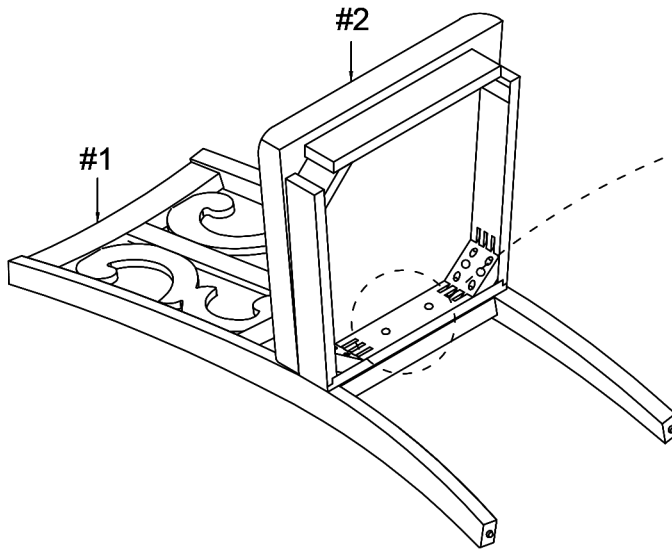


ASSEMBLY INSTRUCTIONS

1

- Part #1 x1pc
- Part #2 x1pc
- Hardware #C x2pcs
- Hardware #D x2pcs
- Hardware #E x2pcs

Align seat (#2) to the chair back (#1), then secure by using bolts (#C) with washers (#D,E).

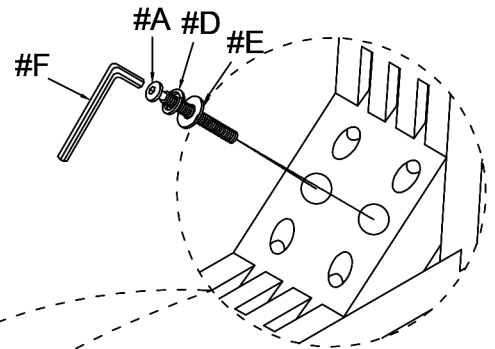
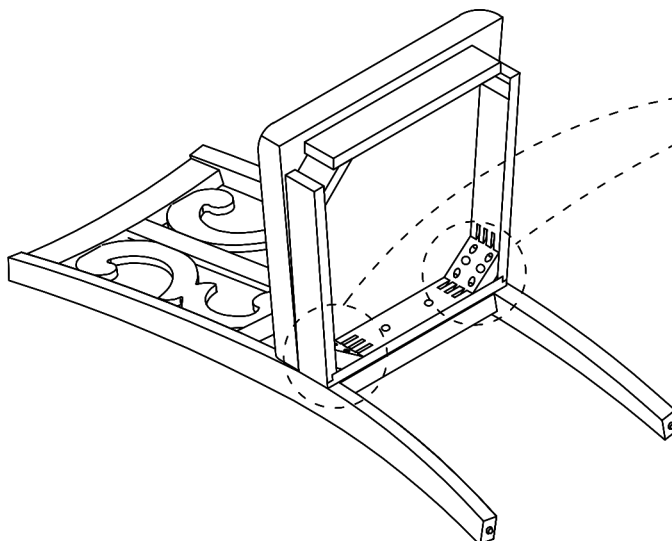


x 2

2

- Hardware #A x4pcs
- Hardware #D x4pcs
- Hardware #E x4pcs

Secure the corner holes of the seat to chair back by using bolts (#A) with washers (#D,E).



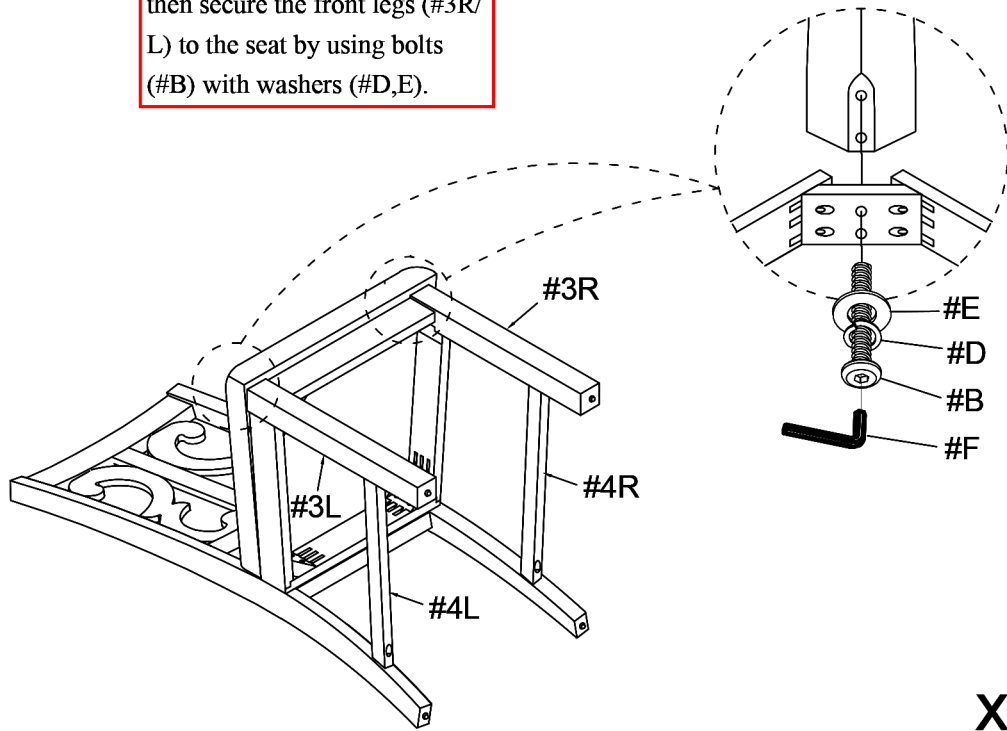
x 2

ASSEMBLY INSTRUCTIONS

3

Align front legs (#3R/L) with stretchers (#4R/L) to the chair, then secure the front legs (#3R/L) to the seat by using bolts (#B) with washers (#D,E).

- Part #3 x2pcs
- Part #4 x2pcs
- Hardware #B x4pcs
- Hardware #D x4pcs
- Hardware #E x4pcs

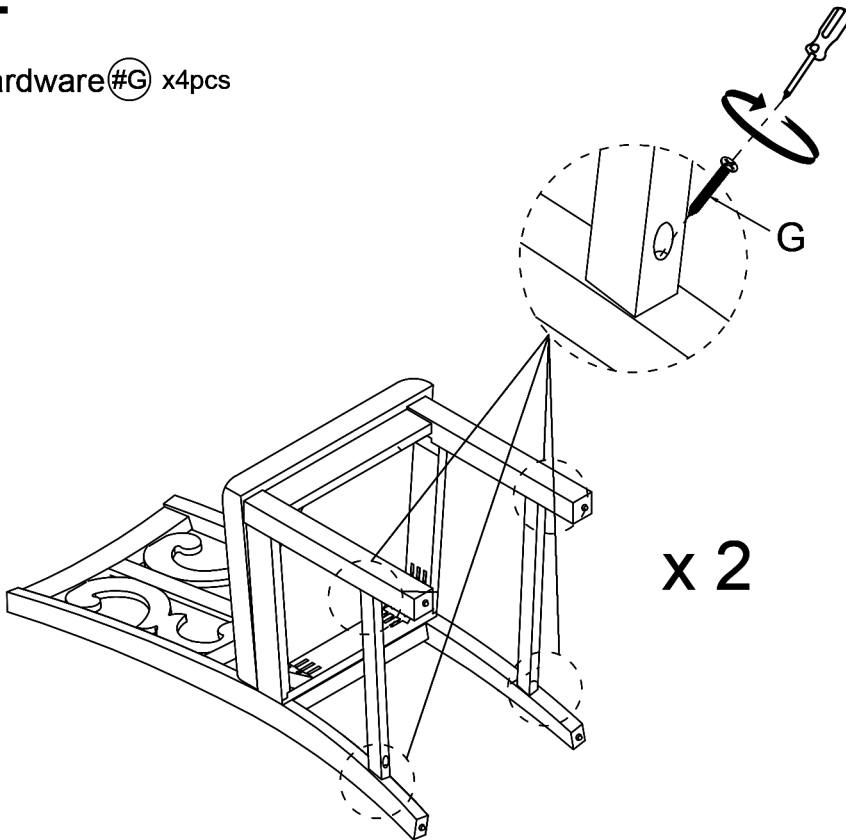


x 2

4

- Hardware #G x4pcs

Secure stretchers by using screws (#G).



x 2

ASSEMBLY COMPLETED



Please ensure the furniture rests on an even and flat surface. If the product wobbles or feels loose, double-check all bolts and/or screws are properly tightened and secured.

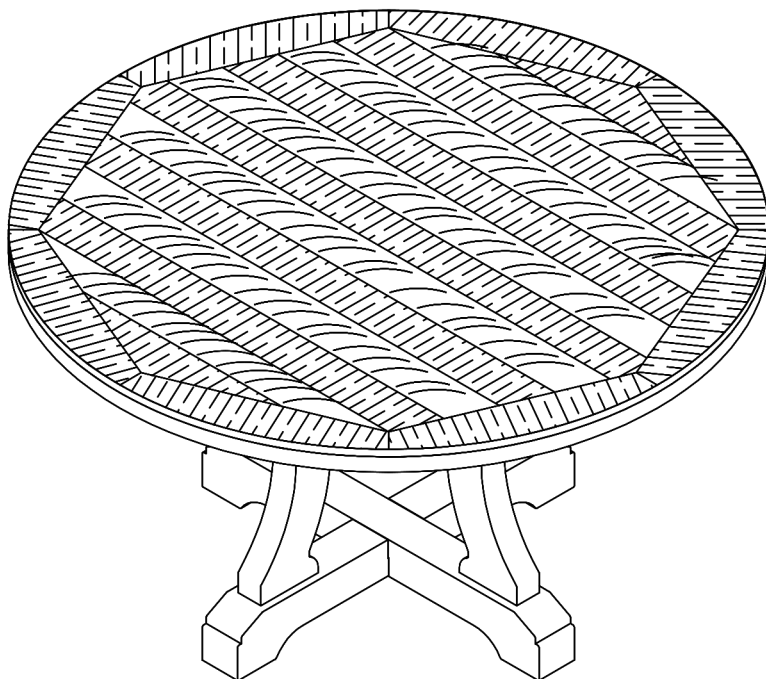
✓ Keep this handy!

Please retain this instruction manual and any order-related information for future reference.

✓ Lift, don't drag!

To avoid damage to product please always LIFT the product when transporting or adjusting the placement.

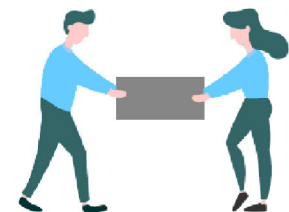
ASSEMBLY INSTRUCTIONS



TOOLS REQUIRED



Allen Wrench
(Included)



2 - People
Recommended

ASSEMBLY RATING



EASY —————> DIFFICULT

The Assembly Rating is a 5-point system showing the level of effort needed to assemble a specific product.



CHECK BEFORE STARTING

Are you missing anything?

Double-check all parts, hardware and accessories listed on Page 6 are accounted for.

Should we send any replacements?

Are there any irregularities or flaws in the parts? We can send replacements!

Check out our Quick Tips!

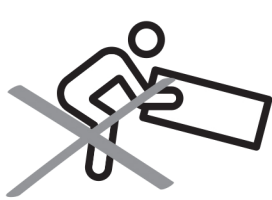
We recommend reviewing the pre-assembly handouts. Even experts need a refresher now and then!

Prep Time!

Please review the assembly instructions and all diagrams prior to assembling. Arrange parts as recommended on Page 7 and group identical hardware together to make assembling easier.

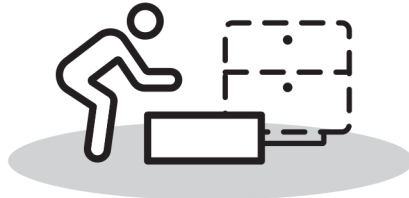
PRE ASSEMBLY INTRODUCTION

We understand building ready-to-assemble furniture can be a challenging experience for some. To help avoid confusion, we have provided some helpful tips that may speed up the process.



Teamwork

ALWAYS have at least two people to help with transporting and assembling the product to avoid potential injury and/or damage.



Suitable Location

Assembling near the area of the intended location is highly recommended.



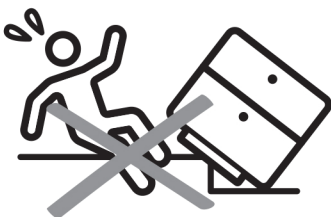
Sufficient Space

Make sure you have enough space to move around during the assembly.



Avoid Scratches

Use cardboard, blankets or a carpeted area while assembling furniture to prevent scratches.



Flat Surface

Make sure the furniture rests on a flat and level surface with each leg evenly touching the floor.

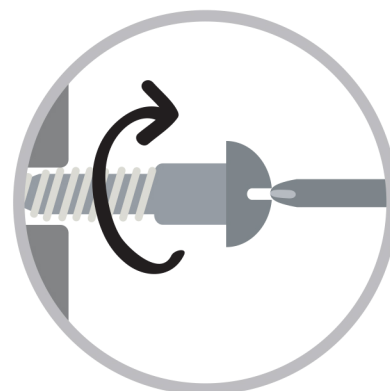
ASSEMBLY AND CARE ADVICE



FAILURE TO FOLLOW THE GUIDELINES BELOW MAY RESULT IN INJURY AND/OR PROPERTY DAMAGE.



Position each part correctly and insert screws or bolts into their respective holes.



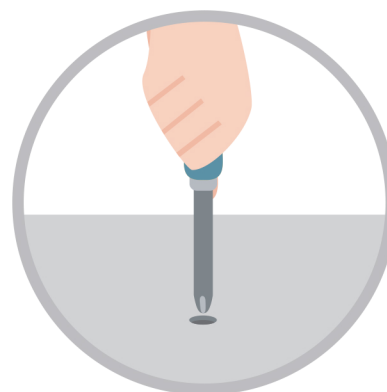
Turn clockwise to tighten and only tighten when step is completed or when instructed to do so.



Use the appropriate hand tools or power tools for assembly. Select steps, such as tightening screws and/or bolts, may require hand tools to avoid causing damage during assembly.



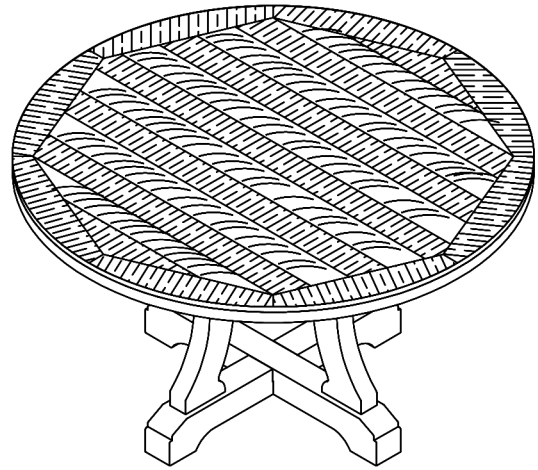
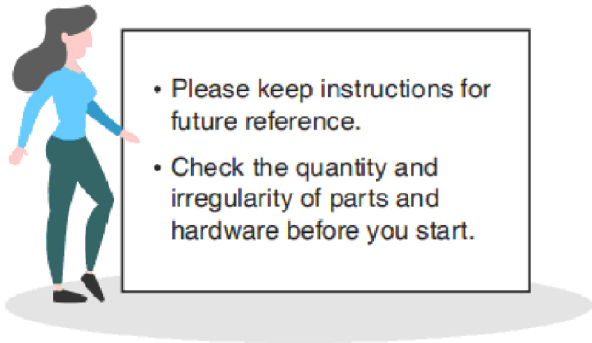
Save the instructions and store any supplied tools for later maintenance.



After two weeks, check and tighten any loose hardware and repeat again every six months thereafter.

IT IS THE USER'S RESPONSIBILITY TO MAINTAIN THE FURNITURE. THE HARDWARE MAY LOOSEN OVER TIME AND MAY CAUSE THE FURNITURE TO BE WOBBLY AND UNABLE TO SUPPORT ITS INTENDED WEIGHT CAPACITY. THIS MAY LEAD TO COLLAPSE AND MAY CAUSE SERIOUS INJURY.

TABLE



PARTS

#1 1pc



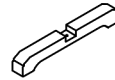
Table Top

#2 4pcs



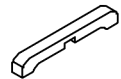
Legs

#3 1pc



Base Bottom

#4 1pc



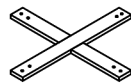
Top Bottom

#5 1pc



Shelf

#6 1pc



Mounting Plate

HARDWARE

#A 4pcs



Bolt $\text{\O}5/16'' \times 3''$

#B 8pcs



Bolt $\text{\O}5/16'' \times 2-3/8''$

#C 1pc



Bolt $\text{\O}5/16'' \times 1-3/4''$

#D 13pcs



Lock Washer
 $\text{\O}5/16'' \times 13\text{mm}$

#E 13pcs



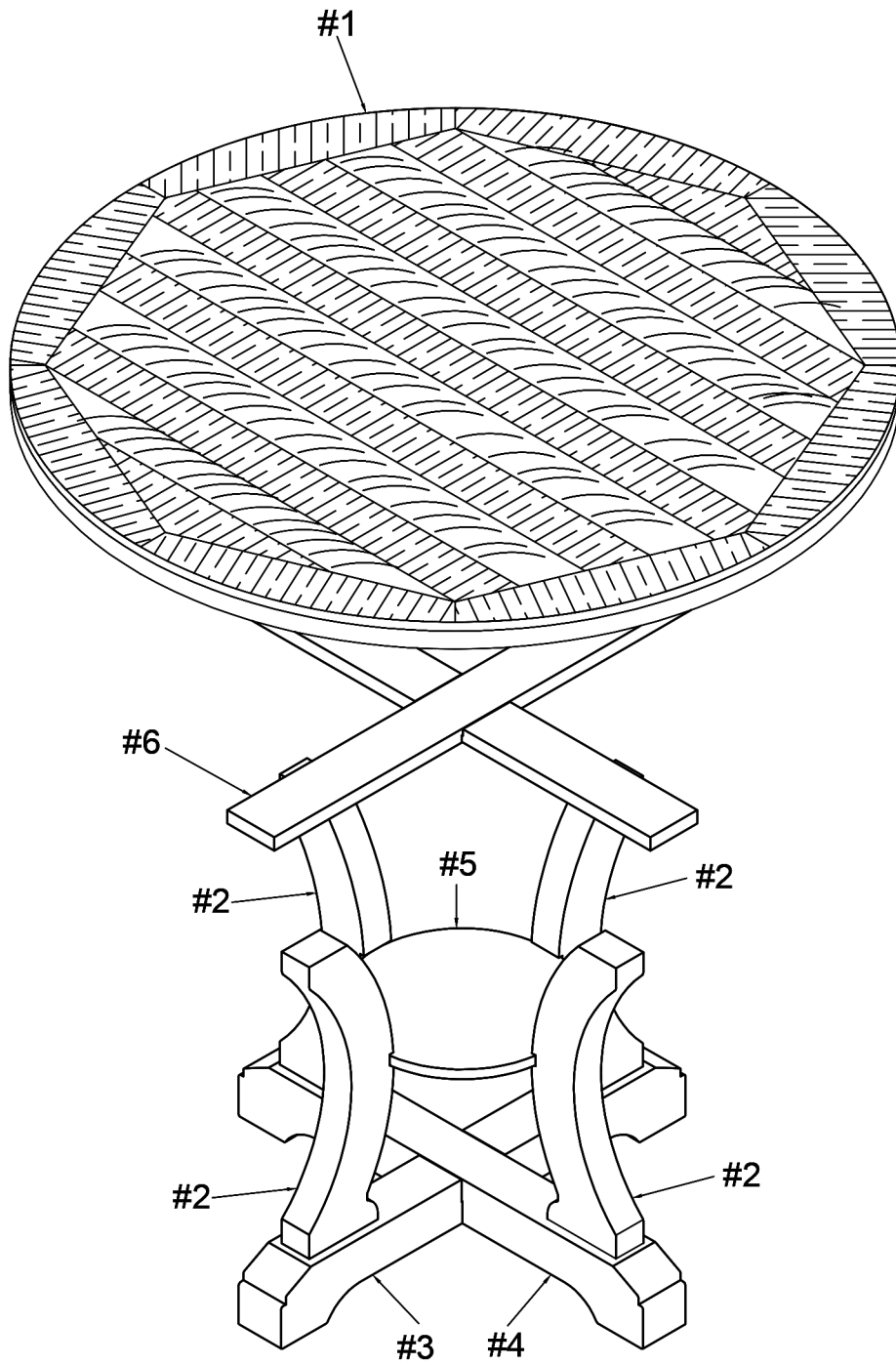
Flat Washer
 $\text{\O}5/16'' \times 19\text{mm}$

#F 1pc



Allen Wrench M4

Exploded View

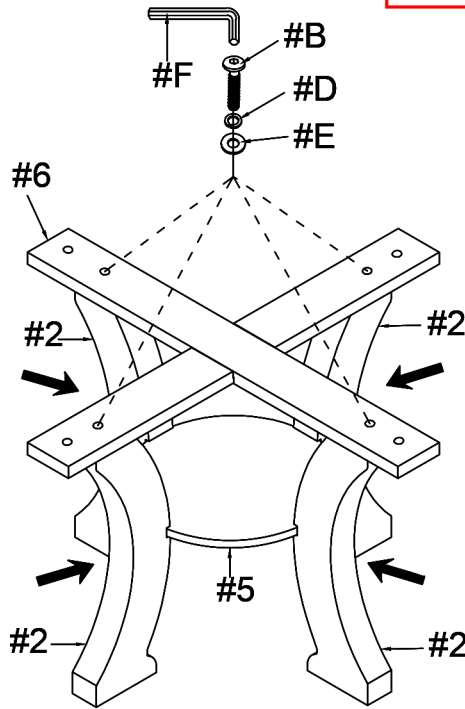


ASSEMBLY INSTRUCTIONS

1

- Part #2 x4pcs
- Part #5 x1pc
- Part #6 x1pc
- Hardware #B x4pcs
- Hardware #D x4pcs
- Hardware #E x4pcs

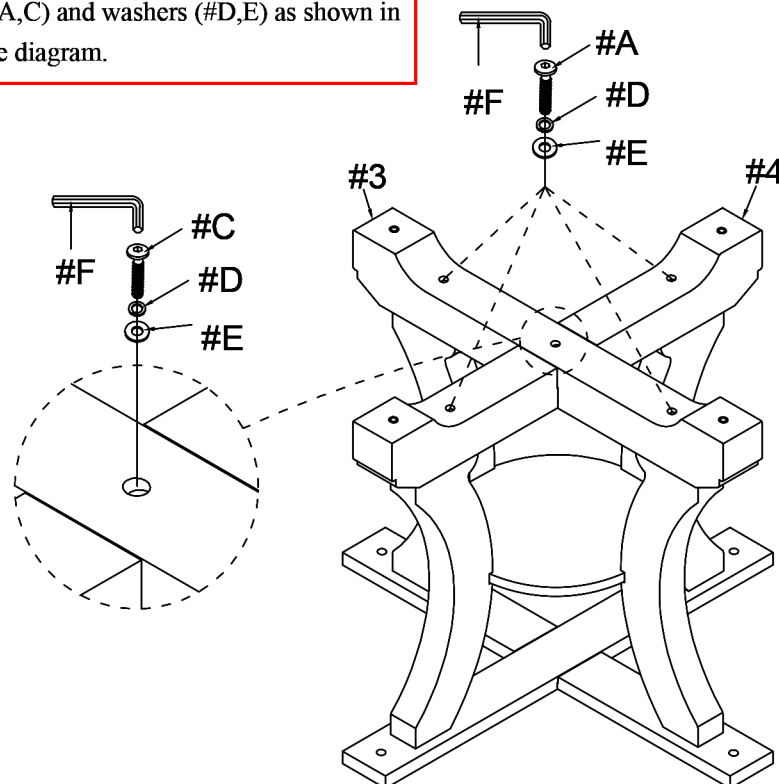
Align legs (#2) to the mounting plate (#6) and shelf (#5), then secure by using bolts (#B) with washers (#D,E).



2

- Part #3 x1pc
- Part #4 x1pc
- Hardware #A x4pcs
- Hardware #C x1pc
- Hardware #D x5pcs
- Hardware #E x5pcs

Align base (#3,4) to the legs, then secure by using the following bolts (#A,C) and washers (#D,E) as shown in the diagram.

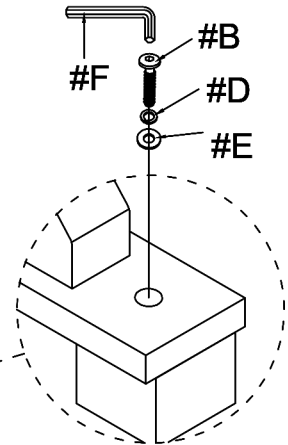
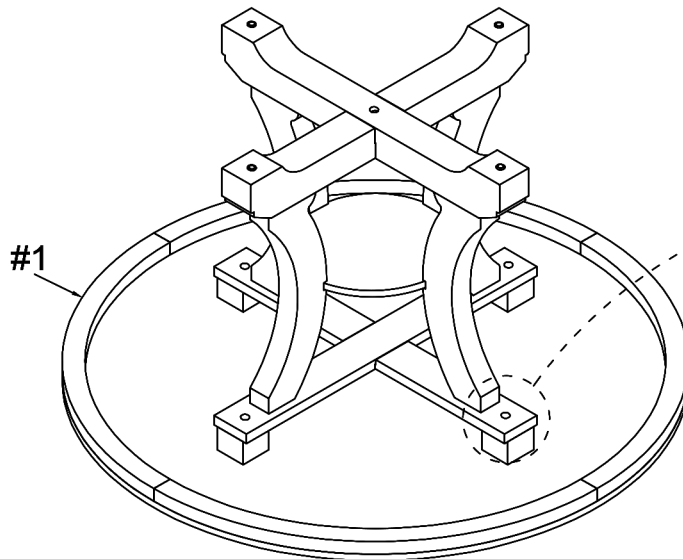


ASSEMBLY INSTRUCTIONS

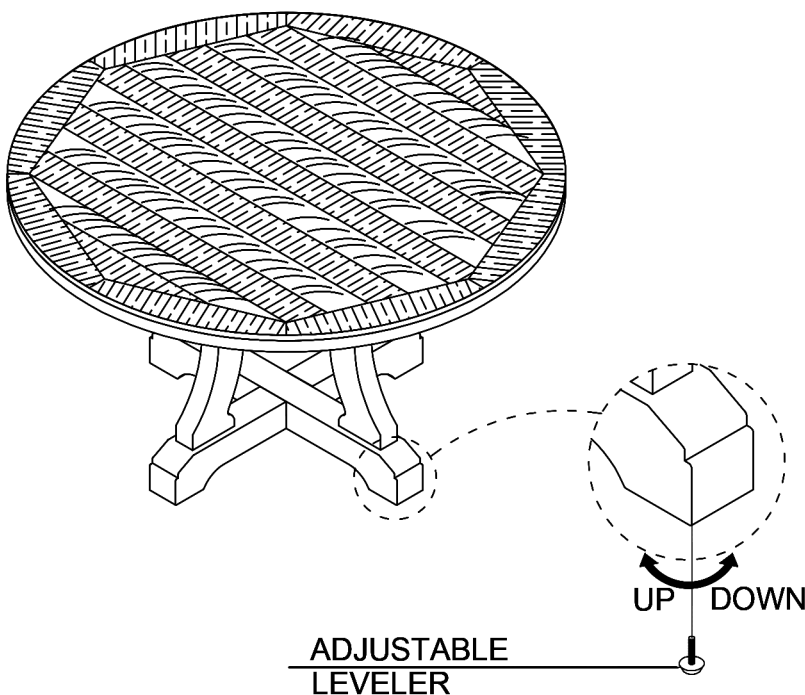
3

- Part #1 x1pc
- Hardware #B x4pcs
- Hardware #D x4pcs
- Hardware #E x4pcs

Align mounting plate to the table top (#1), then secure by using bolts (#B) with washers (#D,E).



4



ASSEMBLY COMPLETED



Please ensure the furniture rests on an even and flat surface. If the product wobbles or feels loose, double-check all bolts and/or screws are properly tightened and secured.



Keep this handy!

Please retain this instruction manual and any order-related information for future reference.



Lift, don't drag!

To avoid damage to product please always LIFT the product when transporting or adjusting the placement.