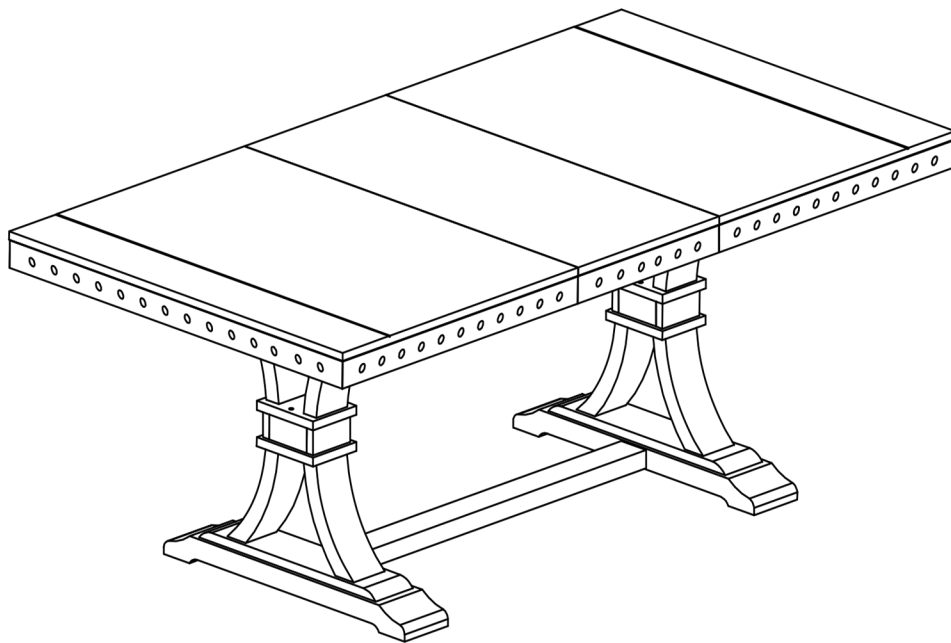



# Assembly Instructions



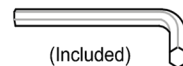
## ASSEMBLY RATING

The Assembly Rating is a 5-point system that shows the degree of effort needed in assembling a specific product (with 1 being easy and 5 being difficult). For some products, two persons are recommended.

EASY  DIFFICULT

## Tools Required For Assembly:

Allen Wrench



Wrench

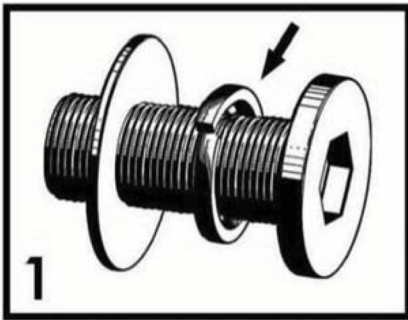


2 PERSONS RECOMMENDED

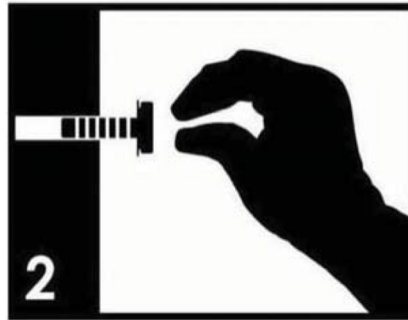
# ASSEMBLY & CARE ADVICE

FOR YOUR FURNITURE TO LAST, CORRECT ASSEMBLY AND PROPER MAINTENANCE ARE NECESSARY. PLEASE FOLLOW THE INFORMATION PROVIDED BELOW TO FULLY ENJOY YOUR FURNITURE.

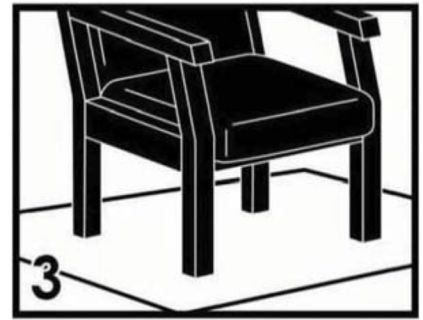
## BASIC ASSEMBLY TECHNIQUES



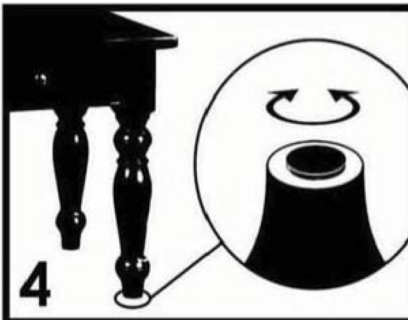
When lock or spring washer is used in an assembly, please make sure the lock or spring washer is placed between the larger flat washer and the head of the screw or bolt.



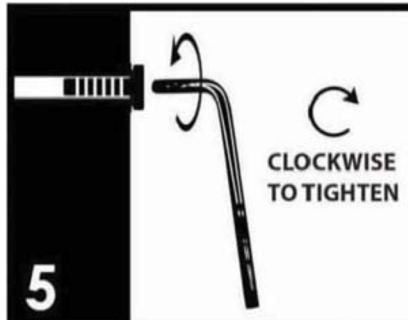
Position each part correctly and insert screws or bolts into their respective holes by hand tighten or using the proper hand tool. Only tighten when step is completed or when instructed to do so.



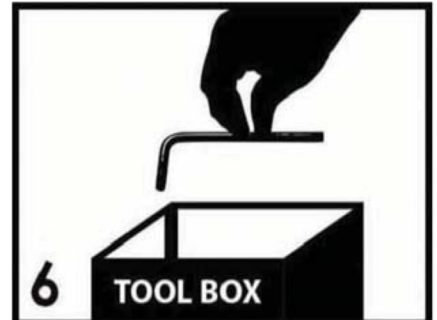
Use cardboard or carpet area when assembling furniture to prevent scratches. Make sure the furniture rests on a flat and level surface with each leg evenly touching the floor.



Some furniture comes with height adjustment knobs underneath each leg. To lower or to raise each leg, you need to turn clockwise or counterclockwise, respectively.



Make sure all parts are properly aligned, then use the appropriate hand tool to completely tighten the bolts or screws. Do not use power tools and do not overtighten.



Save the instructions and store the Allen wrench or any supplied tool for later maintenance. After two weeks, check and tighten any loose hardware and repeat again every six months thereafter.

IT IS THE USER'S RESPONSIBILITY TO MAINTAIN THE FURNITURE. THE HARDWARE MAY LOOSEN OVER TIME AND MAY CAUSE THE FURNITURE TO BE WOBBLY AND UNABLE TO SUPPORT ITS INTENDED WEIGHT CAPACITY. THIS MAY LEAD TO COLLAPSE AND MAY CAUSE SERIOUS INJURY.





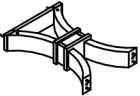
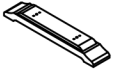


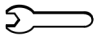
**FAILURE TO FOLLOW THE GUIDELINES ABOVE MAY RESULT IN INJURY AND/OR PROPERTY DAMAGE.**











Before you begin, please read Page 2 of "Assembly and Care Advice".

And remember, do not tighten until each step is completed or instructed.

### Parts List

-  #1 x 1 pc  
Table Top
-  #2 x 1 pc  
Leaf
-  #3 x 2 pcs  
Leg Stand
-  #4 x 2 pcs  
Base
-  #5 x 2 pcs  
Upper Rail
-  #6 x 1 pc  
Lower Rail
-  #I x 1 pc  
Wrench

### Hardware List

-  #A x 4 pcs  
Bolt 1/4" X 2-1/2"
-  #B x 8 pcs  
Bolt 1/4" X 5-1/2"
-  #C x 2 pcs  
Washer 5/16"xØ12
-  #D x 2 pcs  
Bolt 5/16" X 3"
-  #E x 1 pc  
Allen Wrench
-  #F x 4 pcs  
Flat Washer
-  #G x 4 pcs  
Lock Washer
-  #H x 6 pcs  
Hex Nut



#1

#A x 4 pcs

#E

1. Align the pre-drilled holes on the base (#4) with the pre-drilled holes on the leg stand (#3).

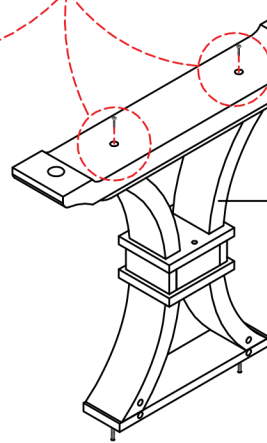
#A

#4

x 2

2. Insert two bolts (#A) and secure using the Allen wrench (#E). Repeat process on the other leg stand (#3).

#3



#2

#B x 8 pcs  
#C x 2 pcs  
#D x 2 pcs  
#H x 2 pcs

1. Insert the bolt (#D) into the top pre-drilled holes, turn right to tighten.

#D

#I

#C

#H

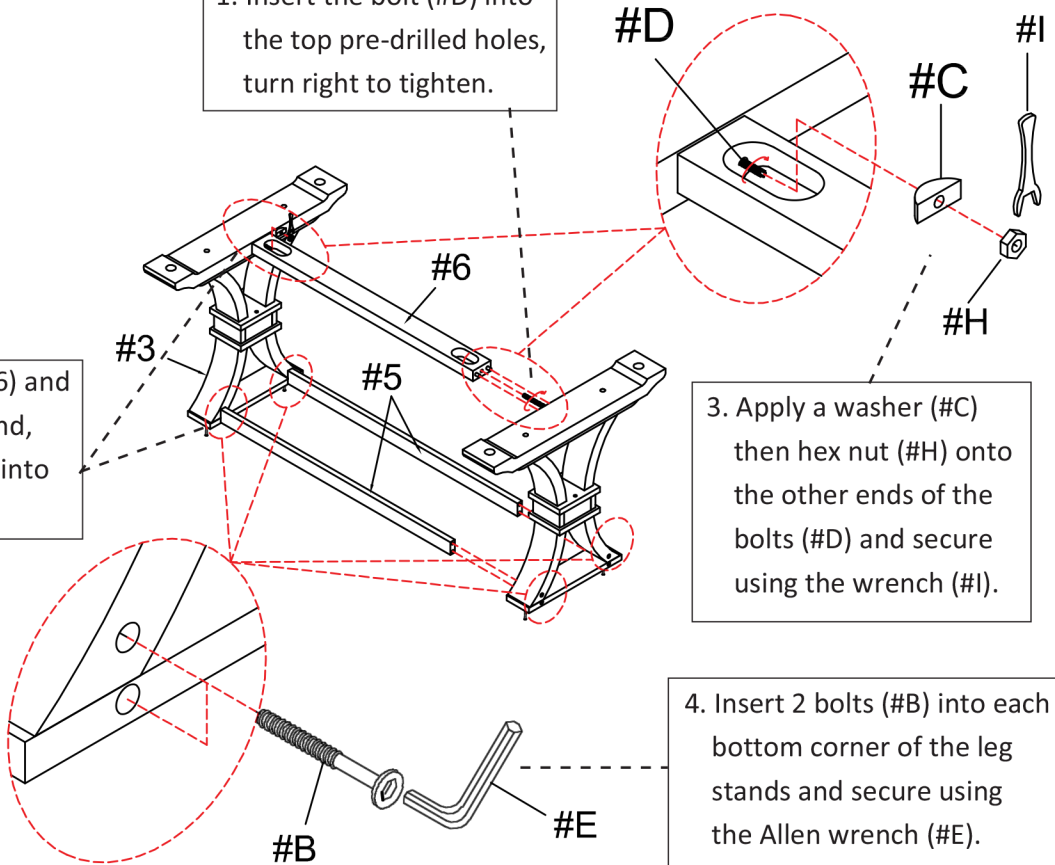
2. Insert one end of (#6) and (#5) into one leg stand, then the other ends into the other leg stand.

#3

#6

#5

3. Apply a washer (#C) then hex nut (#H) onto the other ends of the bolts (#D) and secure using the wrench (#I).



4. Insert 2 bolts (#B) into each bottom corner of the leg stands and secure using the Allen wrench (#E).

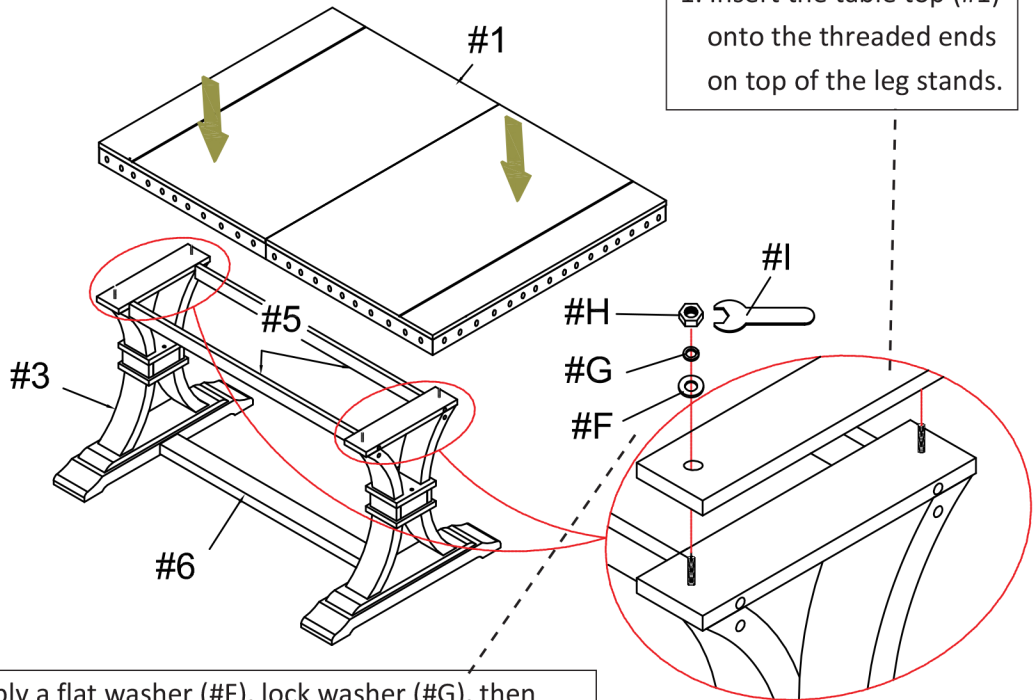
#B

#E



#3

#F x 4 pcs  
#G x 4 pcs  
#H x 4 pcs

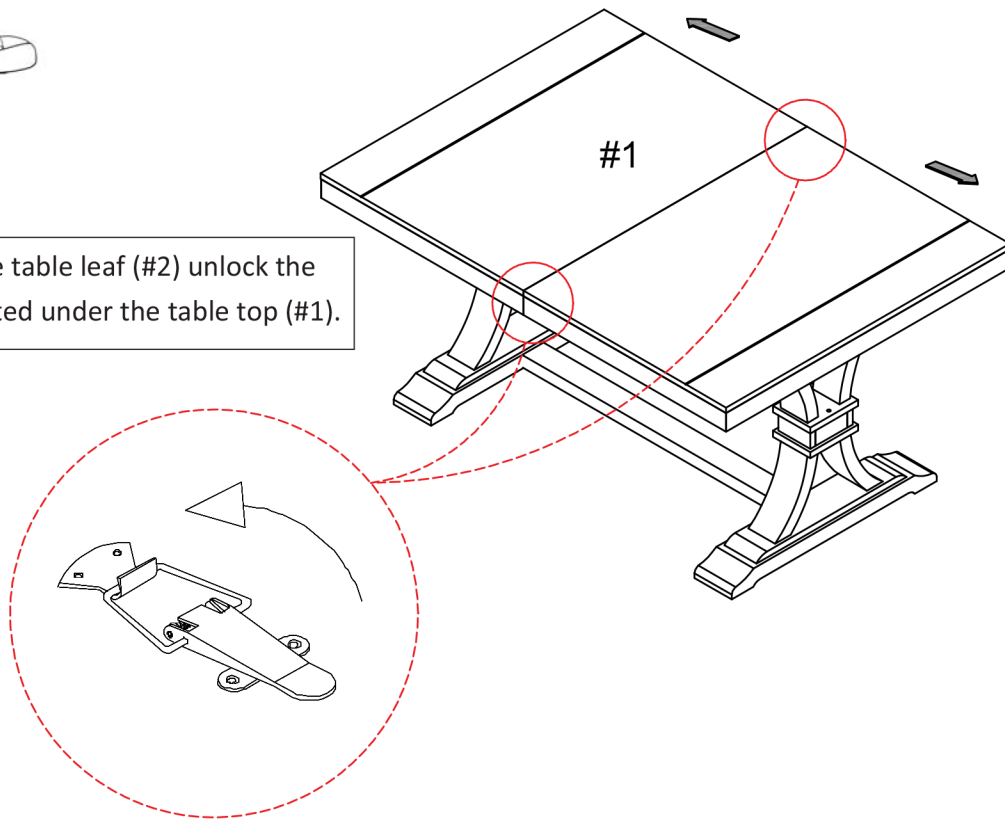


2. Apply a flat washer (#F), lock washer (#G), then hex nut (#H) in that order onto the threaded ends from within the table. Secure using the wrench (#I).



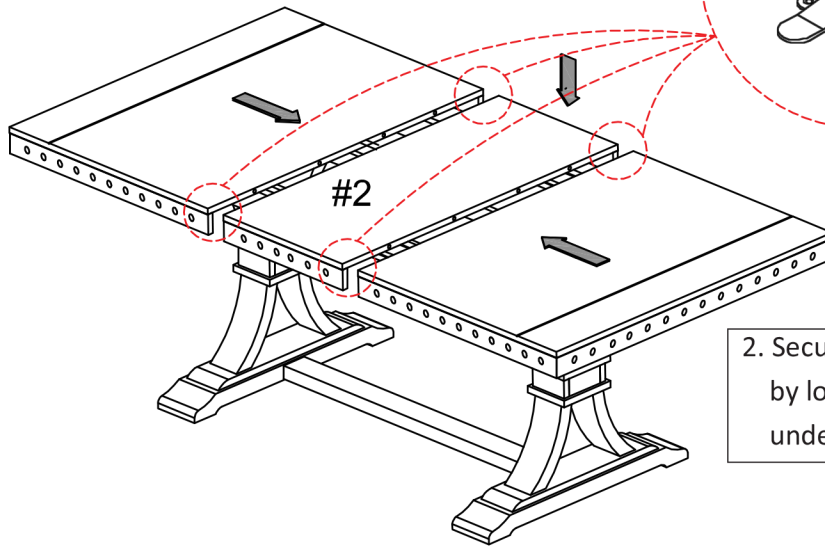
#4

To insert the table leaf (#2) unlock the latches located under the table top (#1).





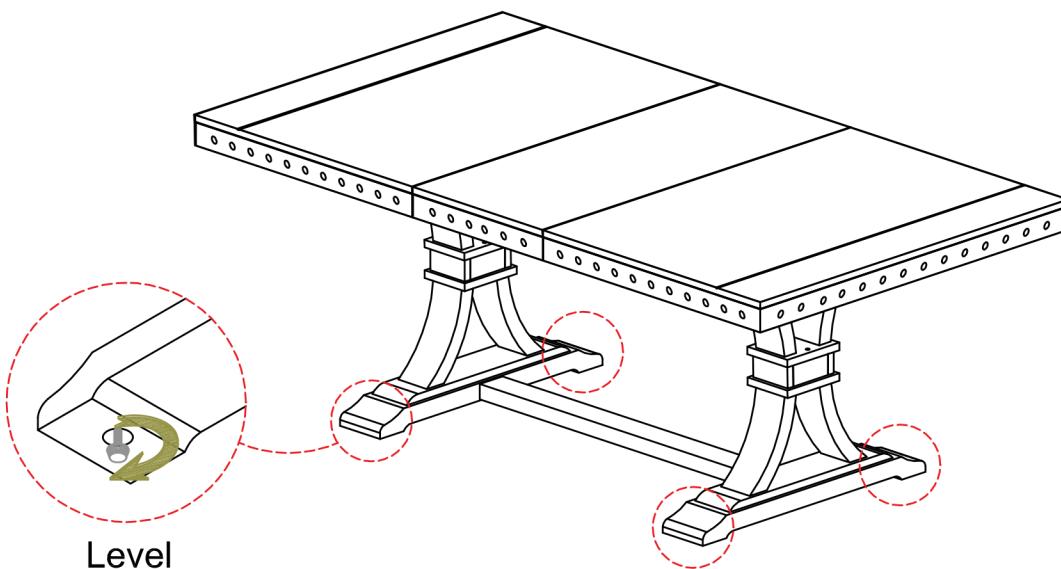
1. Once unlocked, slide outward on both ends of the outer-piece table until there is sufficient opening to place the table leaf (#2). Then slide inward on both ends of the outer-piece table until they are touching and sitting flush with the table leaf (#2).



2. Secure the parts together by locking the latches located under the table top (#1).



Adjust the leveler according to the ground level. Turn the leveler clockwise or counterclockwise, respectively.



**ASSEMBLY IS COMPLETED**