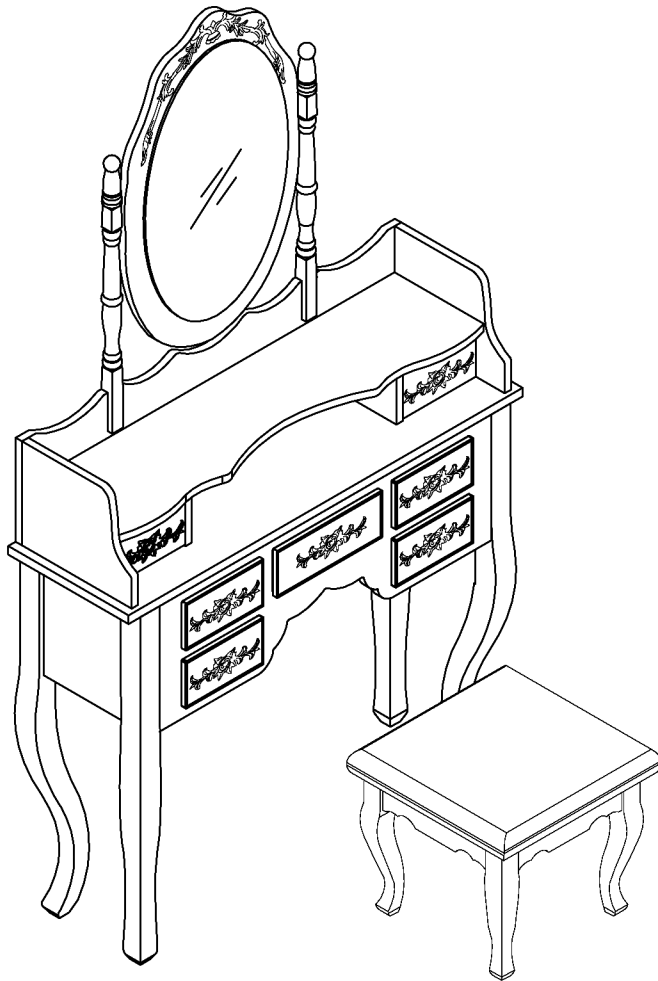


# Assembly Instructions



## ASSEMBLY RATING

The Assembly Rating is a 5-point system that shows the degree of effort needed in assembling a specific product (with 1 being easy and 5 being difficult). For some products, two persons are recommended.

EASY



DIFFICULT

## Tools Required For Assembly:

Allen Wrench



(Included)

Phillips Screwdriver



(Not Included)

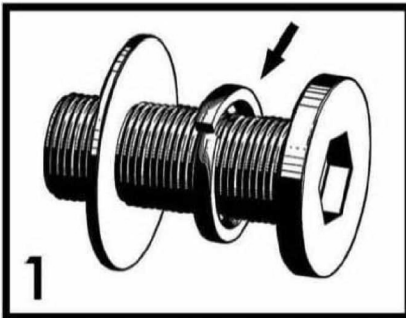


2 PERSONS RECOMMENDED

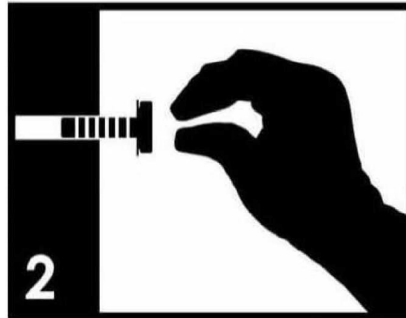
# ASSEMBLY & CARE ADVICE

FOR YOUR FURNITURE TO LAST, CORRECT ASSEMBLY AND PROPER MAINTENANCE ARE NECESSARY. PLEASE FOLLOW THE INFORMATION PROVIDED BELOW TO FULLY ENJOY YOUR FURNITURE.

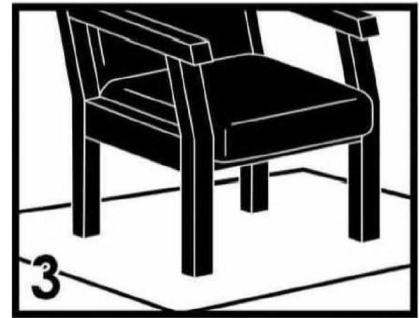
## BASIC ASSEMBLY TECHNIQUES



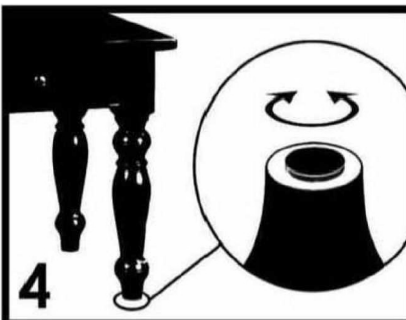
When lock or spring washer is used in an assembly, please make sure the lock or spring washer is placed between the larger flat washer and the head of the screw or bolt.



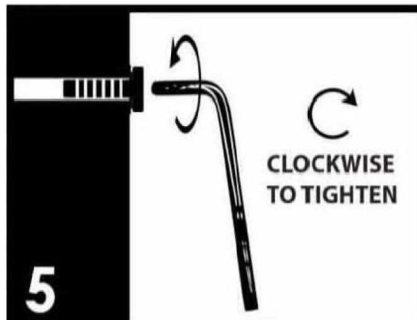
Position each part correctly and insert screws or bolts into their respective holes by hand tighten or using the proper hand tool. Only tighten when step is completed or when instructed to do so.



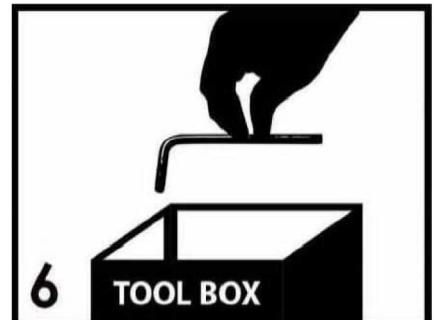
Use cardboard or carpet area when assembling furniture to prevent scratches. Make sure the furniture rests on a flat and level surface with each leg evenly touching the floor.



Some furniture comes with height adjustment knobs underneath each leg. To lower or to raise each leg, you need to turn clockwise or counterclockwise, respectively.



Make sure all parts are properly aligned, then use the appropriate hand tool to completely tighten the bolts or screws. Do not use power tools and do not overtighten.

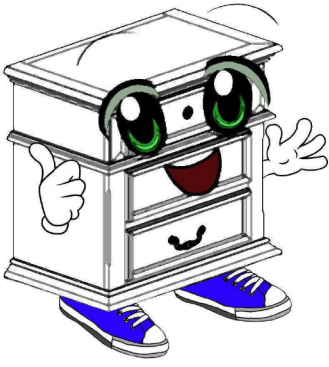


Save the instructions and store the Allen wrench or any supplied tool for later maintenance. After two weeks, check and tighten any loose hardware and repeat again every six months thereafter.

IT IS THE USER'S RESPONSIBILITY TO MAINTAIN THE FURNITURE. THE HARDWARE MAY LOOSEN OVER TIME AND MAY CAUSE THE FURNITURE TO BE WOBBLY AND UNABLE TO SUPPORT ITS INTENDED WEIGHT CAPACITY. THIS MAY LEAD TO COLLAPSE AND MAY CAUSE SERIOUS INJURY.



**FAILURE TO FOLLOW THE GUIDELINES ABOVE MAY RESULT IN INJURY AND/OR PROPERTY DAMAGE.**



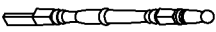
Before you begin, please read Page 2 of "Assembly and Care Advice".

And remember, do not tighten until each step is completed or instructed.

### Parts List



#1 x 1pc  
Mirror



#2 x 2pcs  
Mirror Support



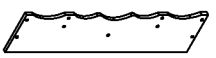
#3 x 2pcs  
Center Panel



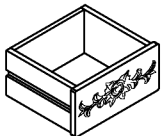
#4 x 1pc  
Top Panel



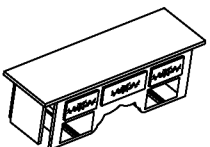
#5 x 2pcs  
Side Panel



#6 x 1pc  
Back Panel



#7 x 2pcs  
Drawer Top



#8 x 1pc  
Cabinet body



#9 x 4pcs  
Leg

### Hardware List



#A x 21pcs  
Bolt 1/4" x 2"



#B x 16pcs  
Flat Washer Ø1/4"



#C x 16pcs  
Spring Washer Ø1/4"



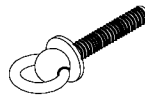
#D x 5pcs  
Barrel Nuts Ø1/4"



#E x 1pc  
Allen Key 4mm



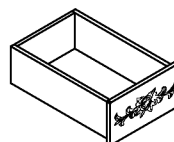
#F x 4pcs  
Bolt 5/32 x 1"



#G x 2pcs  
Mirror Bolt Ø5/16"x8x1-7/9"



#H x 4pcs  
Flat Washer M4



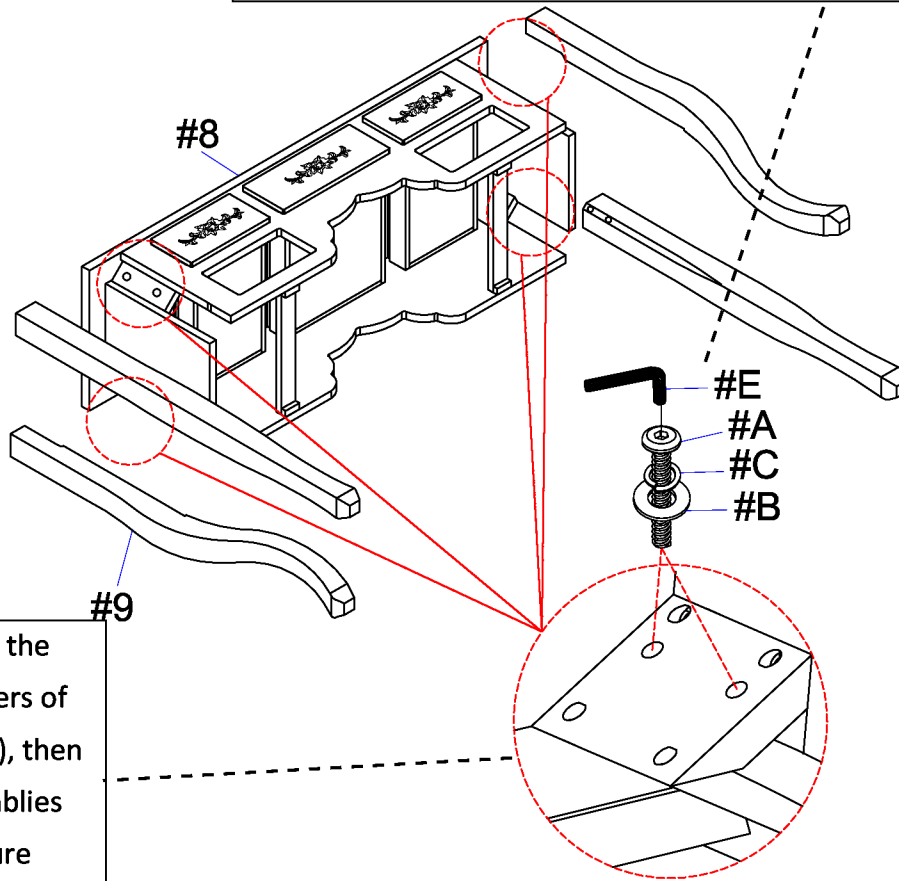
#10 x 2pcs  
Drawer Bottom



#1

1. Prepare 8 bolt assemblies by first inserting a lock washer (#C) onto the bolt (#A) then a flat washer (#B) onto that same bolt (#A).

#A x 8pcs  
#B x 8pcs  
#C x 8pcs



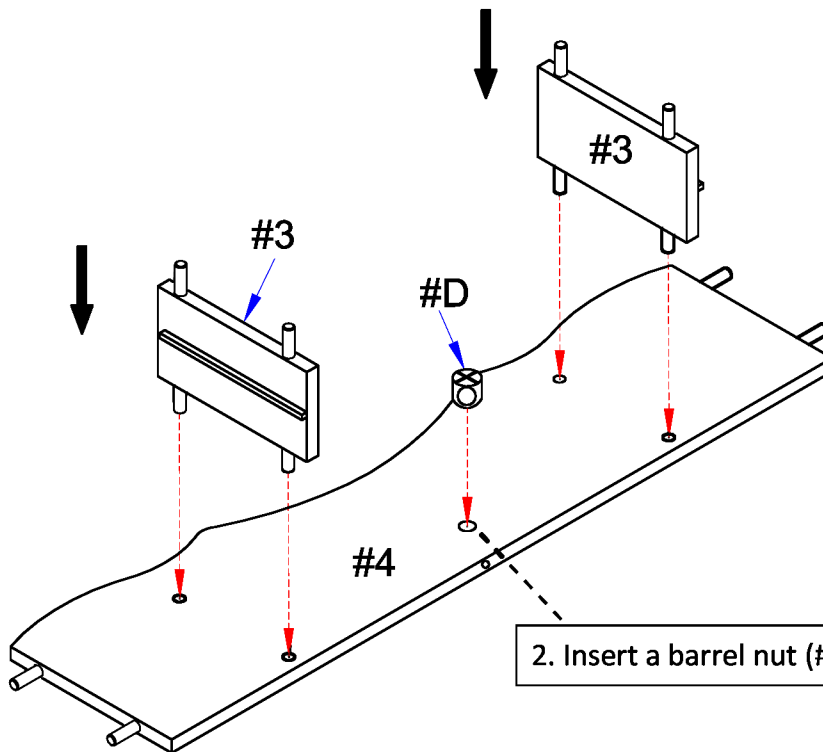
2. Align the legs (#9) to the holes along the corners of the cabinet body (#8), then insert the bolt assemblies from within and secure using the Allen wrench (#E).



#2

1. Insert the pins along the center panels (#3) into the holes along the top panel (#4).

#D x 1pc



2. Insert a barrel nut (#D) into the large hole.

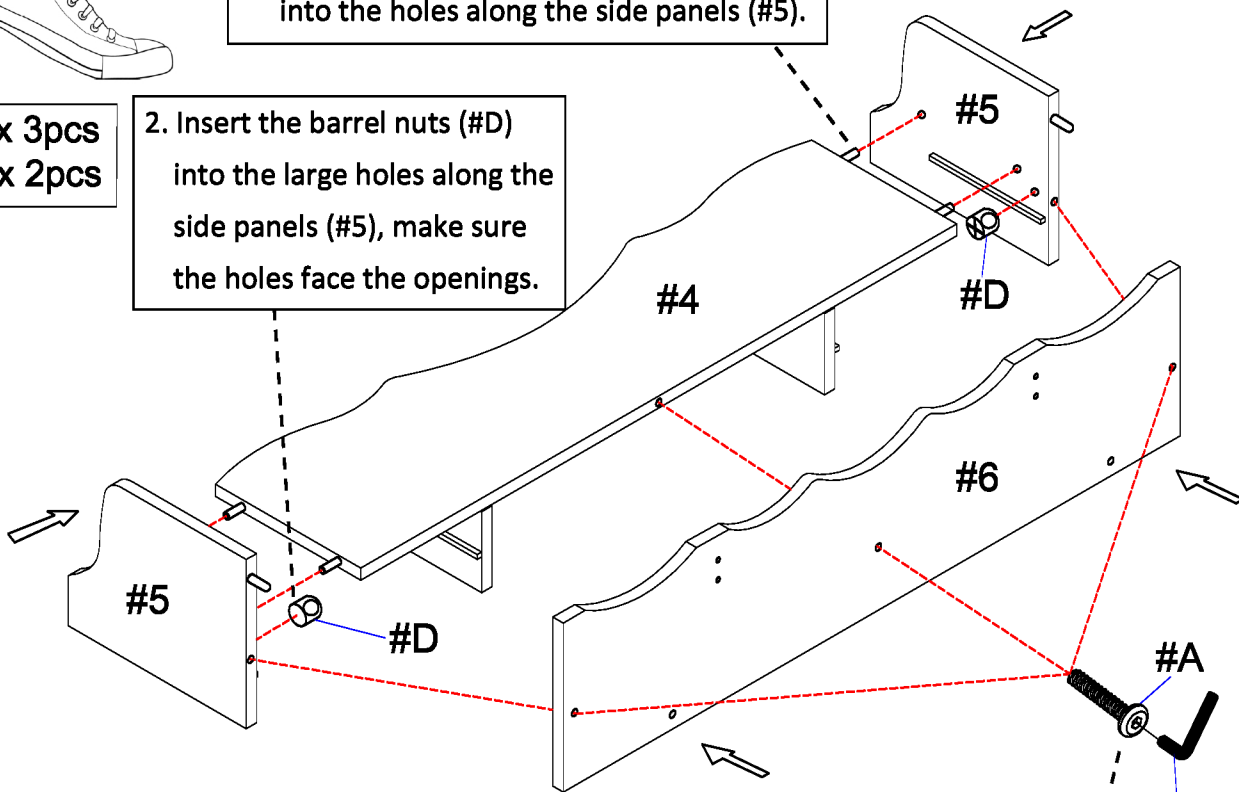


#3

1. Insert the pins along the top panel (#4) into the holes along the side panels (#5).

#A x 3pcs  
#D x 2pcs

2. Insert the barrel nuts (#D) into the large holes along the side panels (#5), make sure the holes face the openings.

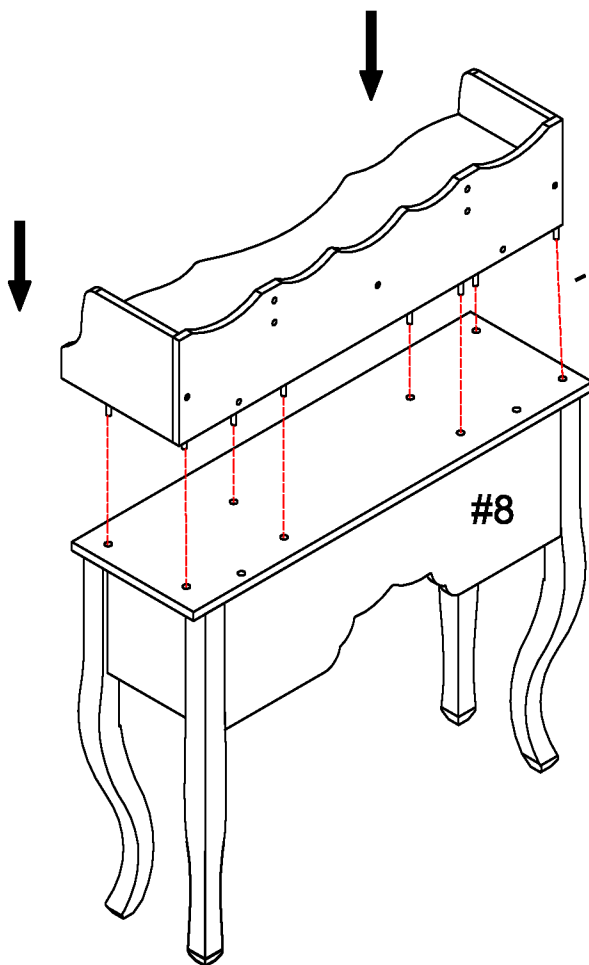


3. Then insert the bolts (#A) into the back panel (#6) and secure.



#4

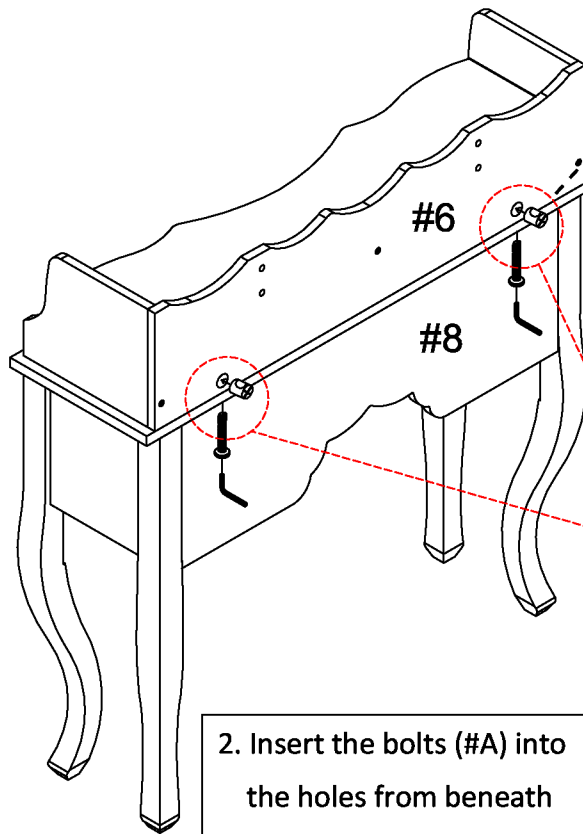
Insert each end into the holes along the cabinet body (#1).





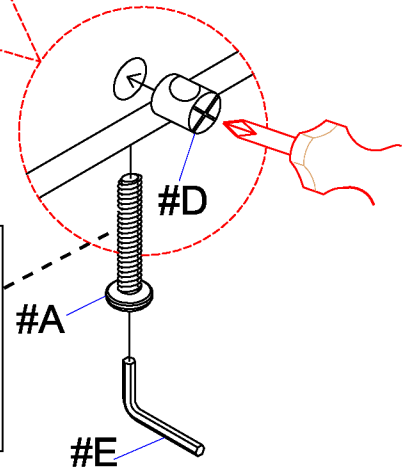
#5

#A x 2pcs  
#D x 2pcs



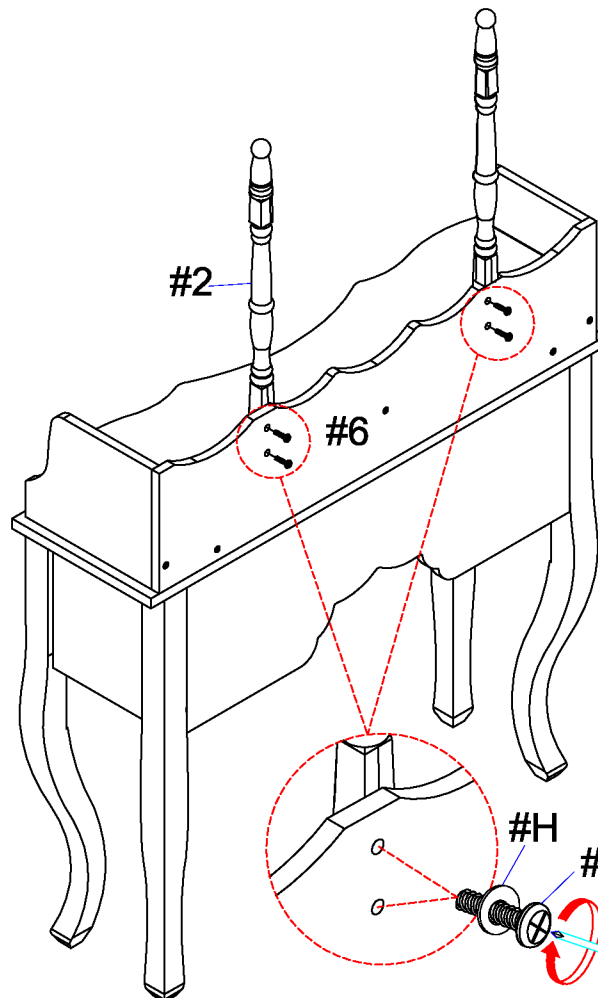
1. Insert the barrel nut (#D) into the large holes along the back panel (#6), make sure to align the hole.

2. Insert the bolts (#A) into the holes from beneath and into the nuts. Secure using the Allen wrench (#E).

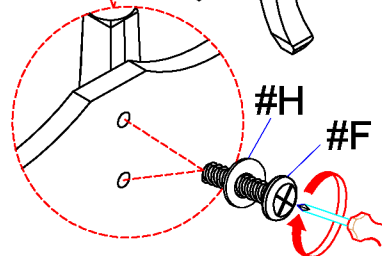


#6

#F x 4pcs  
#H x 4pcs



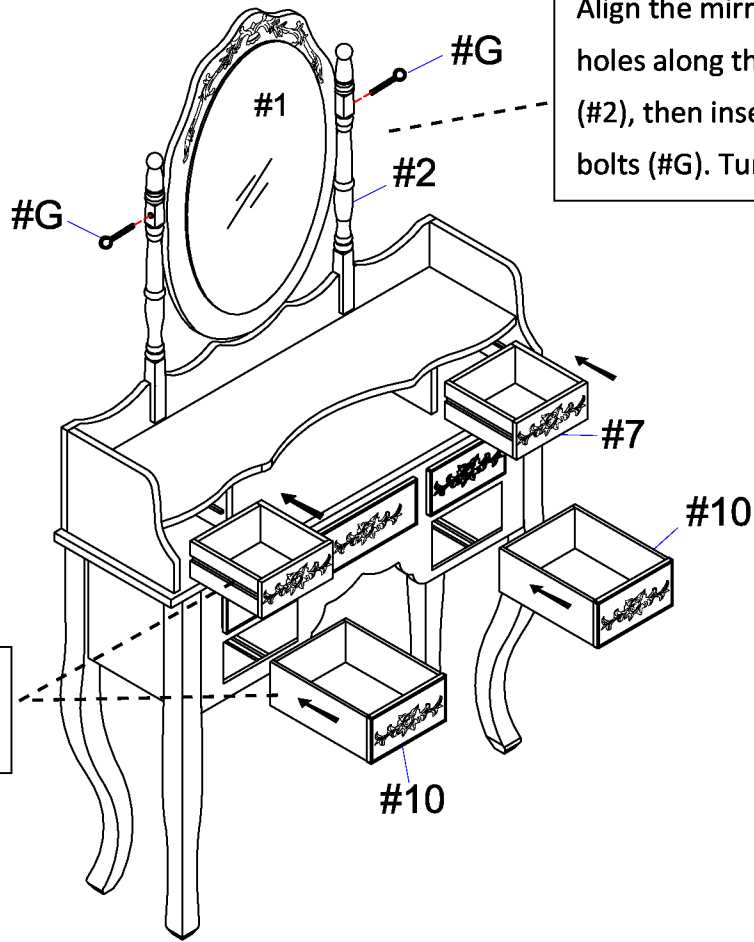
Align the mirror supports (#2) to the holes along the back panel (#6), then insert a bolt (#F) with flat washer (#H) into each hole and secure.





#7

#G x 2pcs

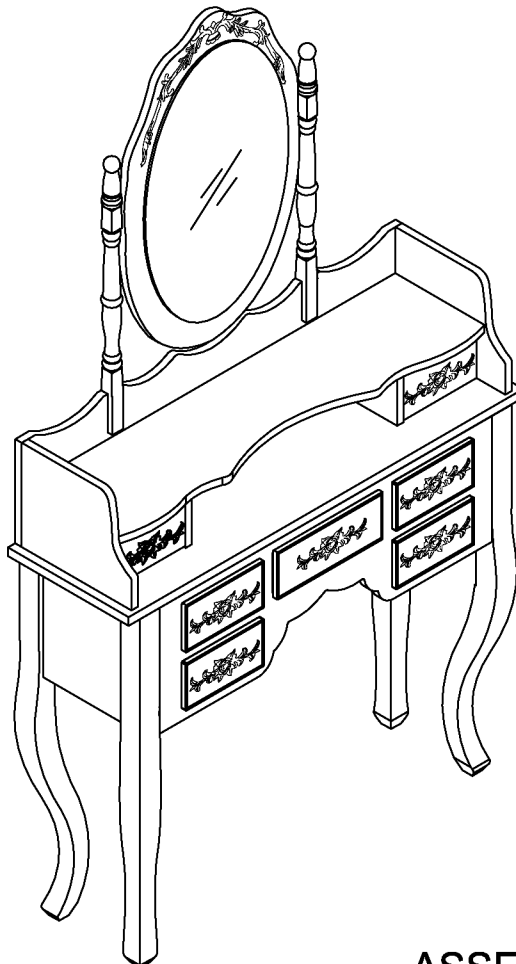


Align the mirror (#1) to the holes along the mirror supports (#2), then insert the mirror bolts (#G). Turn right to secure.

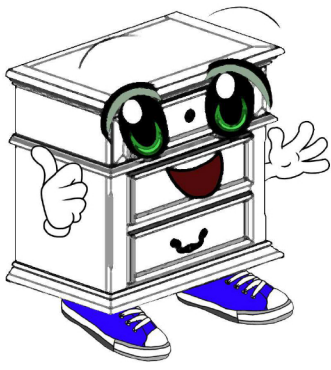
Insert the drawer top (#7) and the drawer bottom (#10).



#8



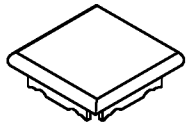
ASSEMBLY IS COMPLETED



Before you begin, please read Page 2 of "Assembly and Care Advice".

And remember, do not tighten until each step is completed or instructed.

### Parts List



#1 x 1pc  
Seat



#2 x 4pcs  
Leg

### Hardware List



#A x 8pcs  
Bolt Ø1/4" x 2"



#B x 8pcs  
Flat Washer Ø1/4"



#C x 8pcs  
Flat Washer Ø1/4"

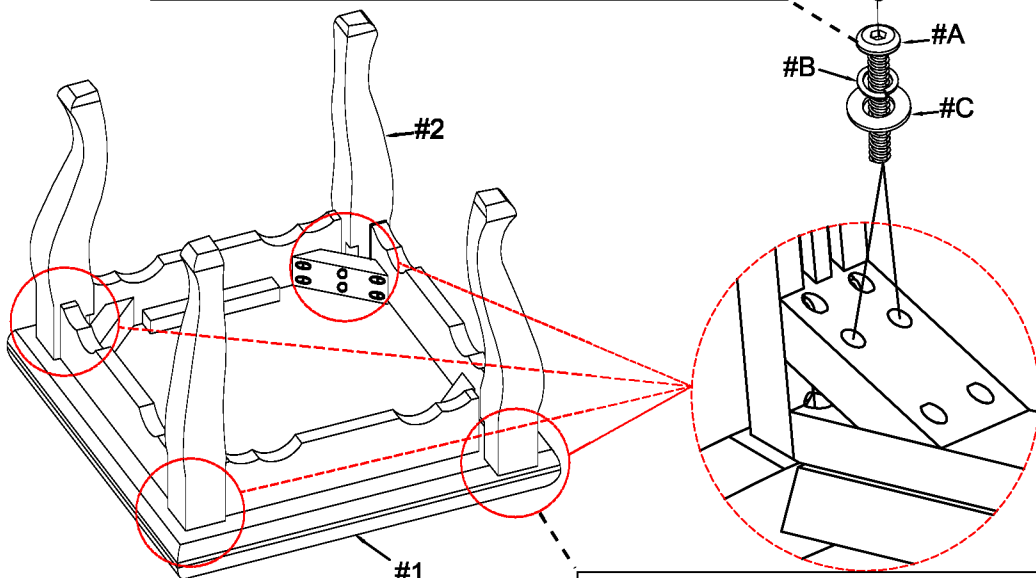


#D x 1pc  
Allen Key 4mm



#A x 8pcs  
#B x 8pcs  
#C x 8pcs

1. Prepare 8 bolt assemblies by first inserting a lock washer (#B) onto the bolt (#A) then a flat washer (#C) onto that same bolt (#A).



2. Align the legs (#2), then insert the bolt assemblies from within and secure.