

# ASSEMBLY INSTRUCTIONS

---



## TOOLS REQUIRED



Allen Wrench  
(Included)



2 - People  
Recommended

## ASSEMBLY RATING



EASY —————> DIFFICULT

The Assembly Rating is a 5-point system showing the level of effort needed to assemble a specific product.



## **CHECK BEFORE STARTING**

### **Are you missing anything?**

Double-check all parts, hardware and accessories listed are all accounted for.

### **Check out our Quick Tips!**

We recommend reviewing the pre-assembly handouts. Even experts need a refresher now and then!

### **Should we send any replacements?**

Are there any irregularities or flaws in the parts? We can send replacements!

### **Prep Time!**

Please review the assembly instructions and all diagrams prior to assembling.

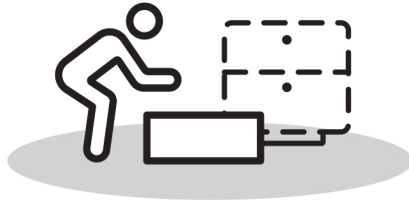
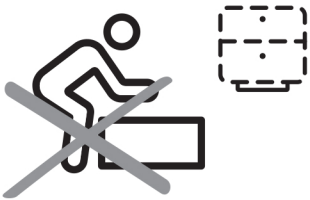
# PRE ASSEMBLY INTRODUCTION

We understand building ready-to-assemble furniture can be a challenging experience for some. To help avoid confusion, we have provided some helpful tips that may speed up the process.



## Teamwork

ALWAYS have at least two people to help with transporting and assembling the product to avoid potential injury and/or damage.



## Suitable Location

Assembling near the area of the intended location is highly recommended.



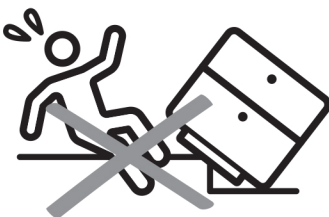
## Sufficient Space

Make sure you have enough space to move around during the assembly.



## Avoid Scratches

Use cardboard, blankets or a carpeted area while assembling furniture to prevent to prevent scratches and damages.



## Flat Surface

Make sure the furniture rests on a flat and level surface with each leg evenly touching the floor.

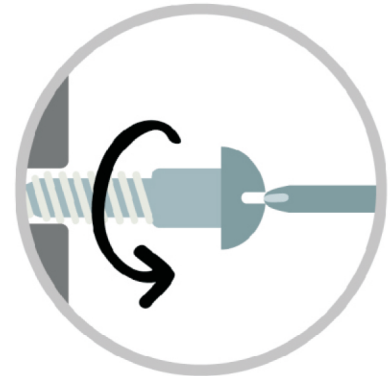
# ASSEMBLY AND CARE ADVICE



**FAILURE TO FOLLOW THE GUIDELINES BELOW MAY RESULT IN INJURY AND/OR PROPERTY DAMAGE.**



Position each part correctly and insert screws or bolts into their respective holes.



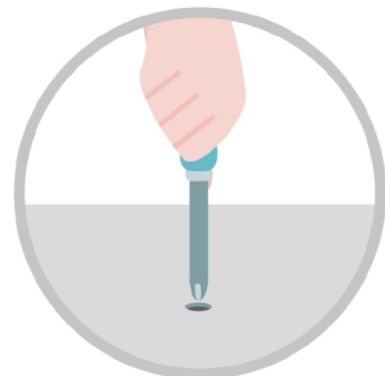
Turn clockwise to tighten and only tighten when step is completed or when instructed to do so.



Use the appropriate hand tools or power tools for assembly. Select steps, such as tightening screws and/or bolts, may require hand tools to avoid causing damage during assembly.



Save the instructions and store any supplied tools for later maintenance.



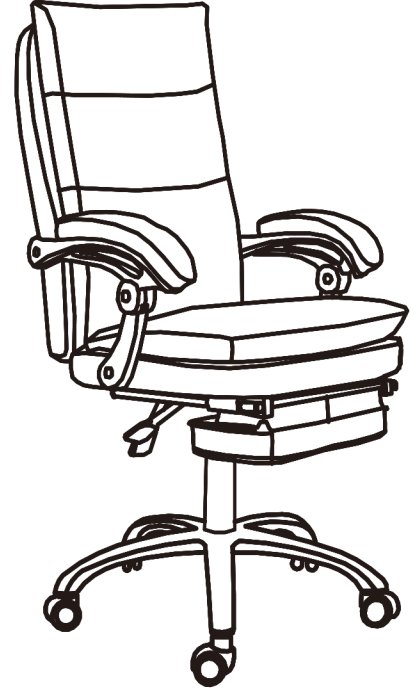
After two weeks, check and tighten any loose hardware and repeat again every six months thereafter.

**IT IS THE USER'S RESPONSIBILITY TO MAINTAIN THE FURNITURE. THE HARDWARE MAY LOOSEN OVER TIME AND MAY CAUSE THE FURNITURE TO BE WOBBLY AND UNABLE TO SUPPORT ITS INTENDED WEIGHT CAPACITY. THIS MAY LEAD TO COLLAPSE AND MAY CAUSE SERIOUS INJURY.**

# CHAIR



- Please keep instructions for future reference.
- Check the quantity and irregularity of parts and hardware before you start.



## PARTS

#1 1pc



Back Cushion

#2 1pc



Seat Cushion

#3 1pc



Baseboard

#4 2pcs



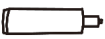
Arm

#5 1pc



5-Star Base

#6 1pc



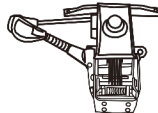
Gas Lift Cylinder

#7 5pcs



Caster

#8 1pc



Seat -Plate/Handle

#9 1pc



Connecting iron

#10 1pc



Gaslift Cover

## HARDWARE

#A 4pcs



Bolt M6\*20

#B 4pcs



Bolt M6\*25

#C 4pcs



Bolt M8\*40

#D 4pcs



Bolt M8\*20

#E 4pcs



Washer M8

#F 2pcs



Baseboard pad

#G 4pcs



Arm Cap

#H 1pc



Allen Wrench M6

#I 1pc



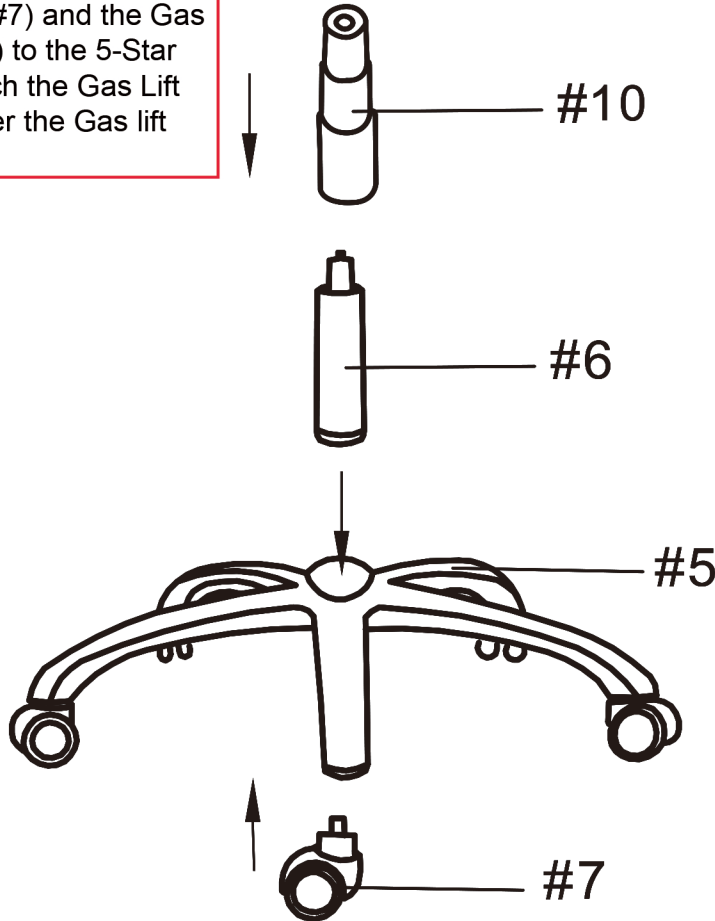
Allen Wrench M8

# ASSEMBLY INSTRUCTIONS

Attach Caster (#7) and the Gas Lift cylinder (#6) to the 5-Star base (#5). Attach the Gas Lift Cover (#10) over the Gas lift Cylinder (#6).

1

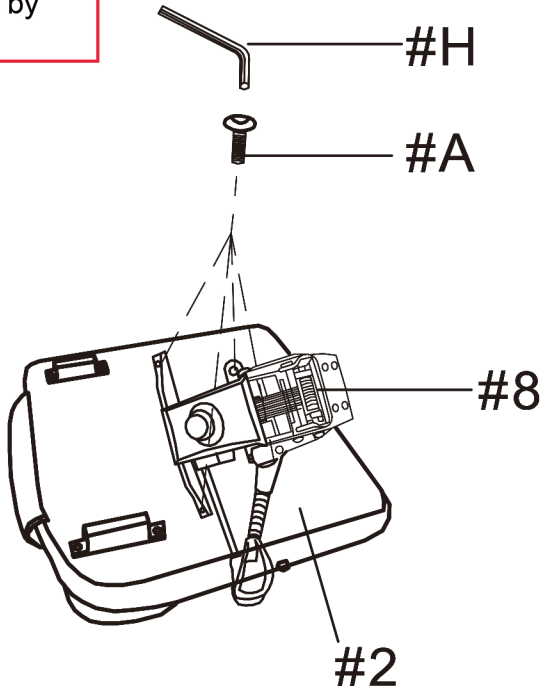
- Part #5 x 1pc
- Part #6 x 1pc
- Part #7 x 5pcs
- Part #10 x 1pc



2

Secure the Seat plate (#8) to Seat cushion (#2) by using Bolts (#A).

- Part #2 x 1pc
- Part #8 x 1pc
- Hardware #B x 4pcs
- Hardware #H x 1pc



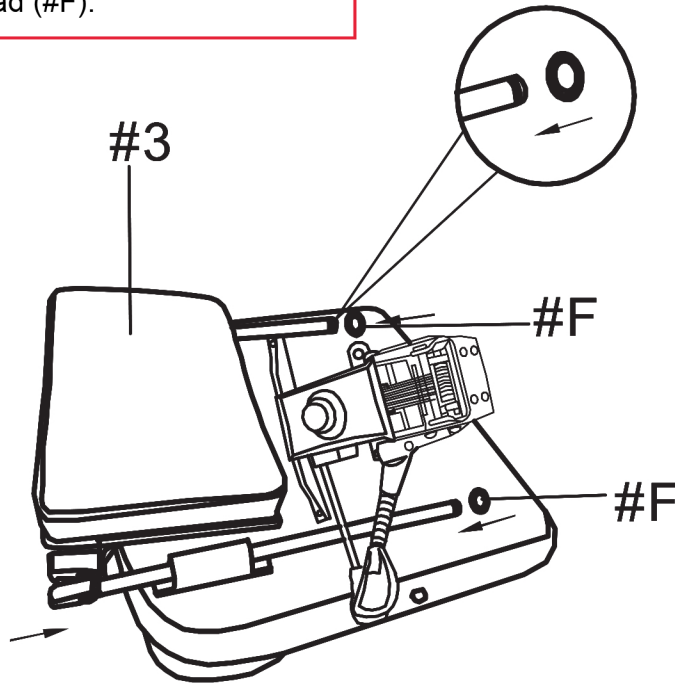
# ASSEMBLY INSTRUCTIONS

## 3

Insert the baseboard (#3) to the pre-installed inserts on the Seat cushion (#2). Secure with Baseboard pad (#F).

Part (#3) x 1pc

Hardware (#F) x 2pcs



## 4

Part (#1) x 1pc

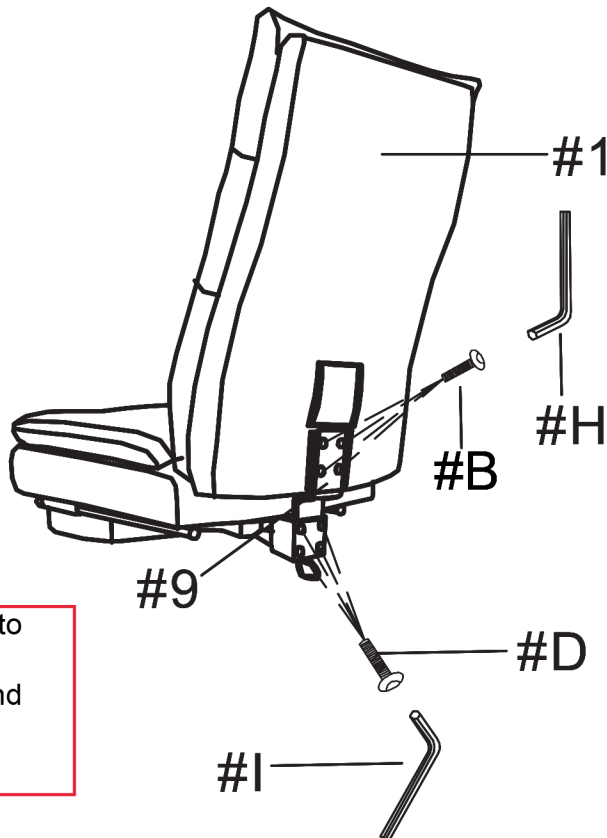
Part (#9) x 1pc

Hardware (#B) x 4pcs

Hardware (#D) x 4pcs

Hardware (#H) x 1pc

Hardware (#I) x 1pc



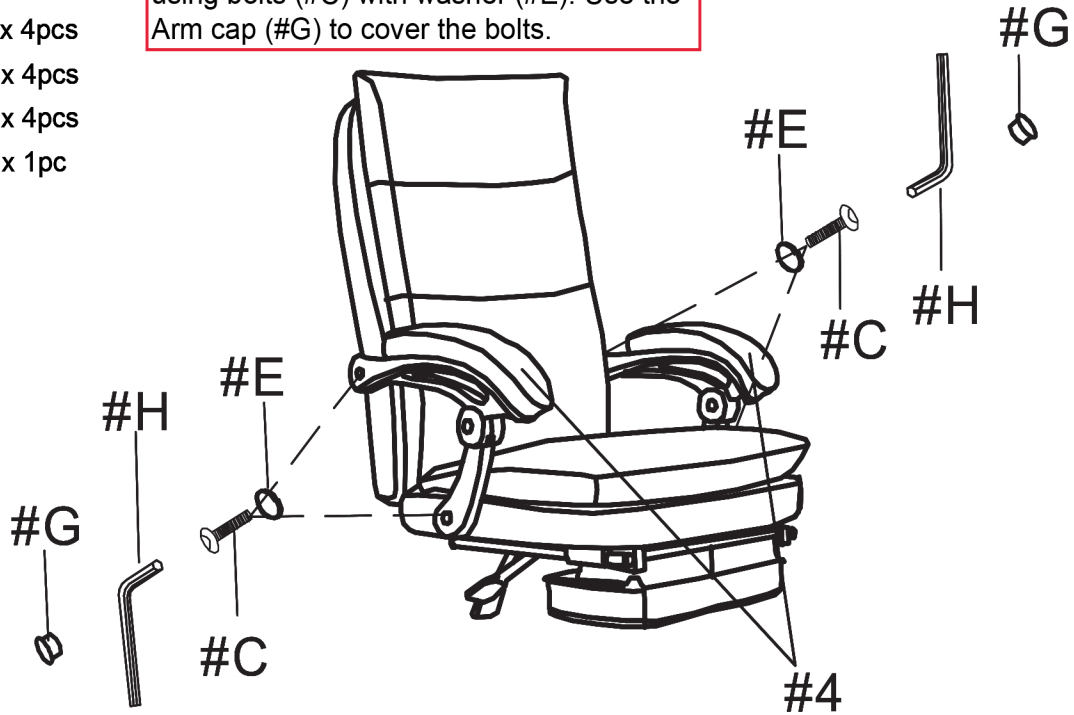
Align the Back Cushion (#1) to the Seat Cushion (#2) then secure by using bolts (#B) and bolts (#D) as shown in the diagram.

# ASSEMBLY INSTRUCTIONS

## 5

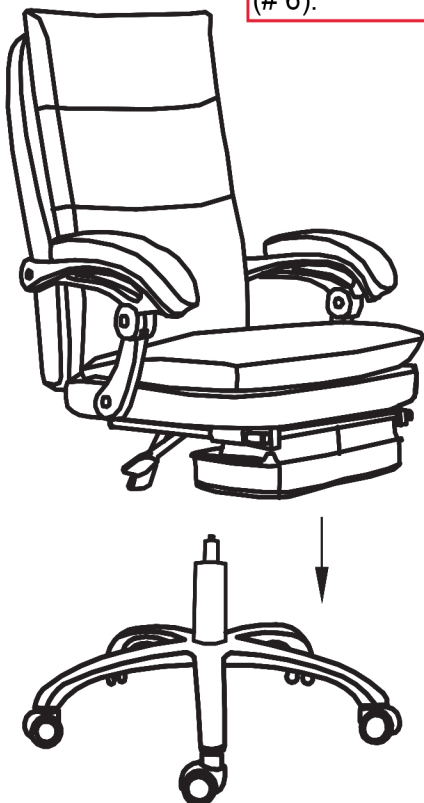
- Part (#4) x 2pcs
- Hardware (#C) x 4pcs
- Hardware (#E) x 4pcs
- Hardware (#G) x 4pcs
- Hardware (#H) x 1pc

Align arms (#4) to the chair seat (#2) and the Back cushion (#1), then secure by using bolts (#C) with washer (#E). Use the Arm cap (#G) to cover the bolts.



## 6

Attach the Seat plate (#8) to the Gas Cylinder (#6).



## ASSEMBLY COMPLETED



Please ensure the furniture rests on an even and flat surface. If the product wobbles or feels loose, double-check all bolts and/or screws are properly tightened and secured.

### ✓ Keep this handy!

Please retain this instruction manual and any order-related information for future reference.

### ✓ Lift, don't drag!

To avoid damage to product please always LIFT the product when transporting or adjusting the placement.