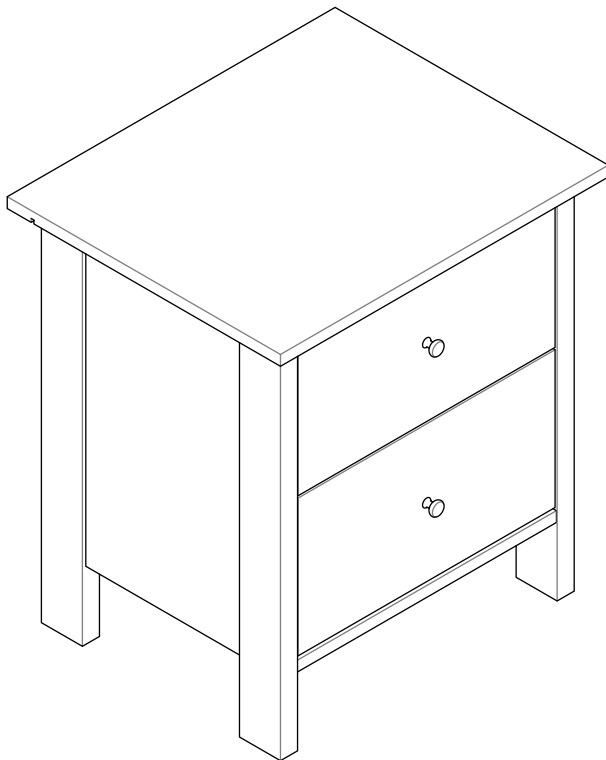


# ASSEMBLY INSTRUCTIONS

---



## TOOLS REQUIRED



**Phillips  
Screwdriver**

(Not Included)



**2 - People  
Recommended**

## ASSEMBLY RATING



EASY —————> DIFFICULT

The Assembly Rating is a 5-point system showing the level of effort needed to assemble a specific product.



## **CHECK BEFORE STARTING**

### **Are you missing anything?**

Double-check all parts, hardware and accessories listed are all accounted for.

### **Should we send any replacements?**

Are there any irregularities or flaws in the parts? We can send replacements!

### **Check out our Quick Tips!**

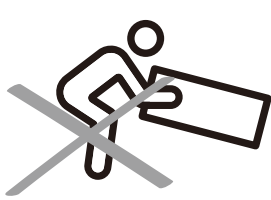
We recommend reviewing the pre-assembly handouts. Even experts need a refresher now and then!

### **Prep Time!**

Please review the assembly instructions and all diagrams prior to assembling. Arrange parts as recommended on Page 7 and group identical hardware together to make assembling easier.

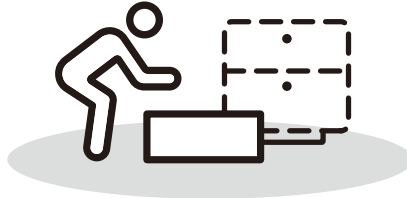
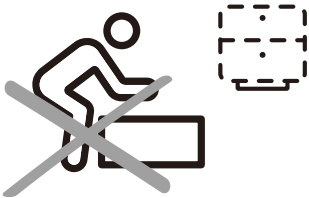
# PRE ASSEMBLY INTRODUCTION

We understand building ready-to-assemble furniture can be a challenging experience for some. To help avoid confusion, we have provided some helpful tips that may speed up the process.



## Teamwork

ALWAYS have at least two people to help with transporting and assembling the product to avoid potential injury and/or damage.



## Suitable Location

Assembling near the area of the intended location is highly recommended.



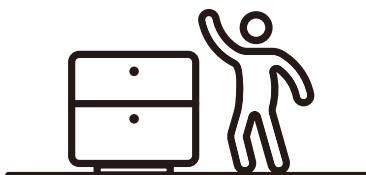
## Sufficient Space

Make sure you have enough space to move around during the assembly.



## Avoid Scratches

Use cardboard, blankets or a carpeted area while assembling furniture to prevent scratches.



## Flat Surface

Make sure the furniture rests on a flat and level surface with each leg evenly touching the floor.

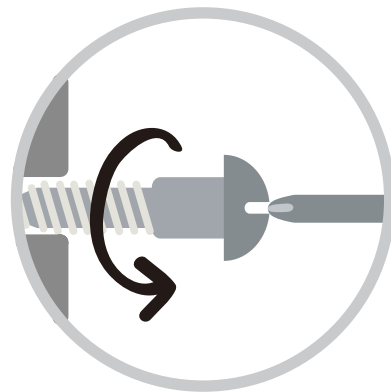
# ASSEMBLY AND CARE ADVICE



**FAILURE TO FOLLOW THE GUIDELINES BELOW MAY  
RESULT IN INJURY AND/OR PROPERTY DAMAGE.**



Position each part correctly  
and insert screws or bolts into  
their respective holes.



Turn clockwise to tighten and  
only tighten when step is  
completed or when instructed  
to do so.



Use the appropriate hand tools  
or power tools for assembly.  
Select steps, such as tightening  
screws and/or bolts, may require  
hand tools to avoid causing  
damage during assembly.



Save the instructions and store  
any supplied tools for later  
maintenance.



After two weeks, check and  
tighten any loose hardware and  
repeat again every six months  
thereafter.

**IT IS THE USER'S RESPONSIBILITY TO MAINTAIN THE FURNITURE. THE HARDWARE MAY LOOSEN OVER TIME AND MAY CAUSE THE FURNITURE TO BE WOBBLY AND UNABLE TO SUPPORT ITS INTENDED WEIGHT CAPACITY. THIS MAY LEAD TO COLLAPSE AND MAY CAUSE SERIOUS INJURY.**

# CAM LOCK FASTENER ASSEMBLY INSTRUCTIONS

## Note :

Every cam lock bolt must have a cam lock connector in order to fasten the parts together.



cam bolt



cam lock

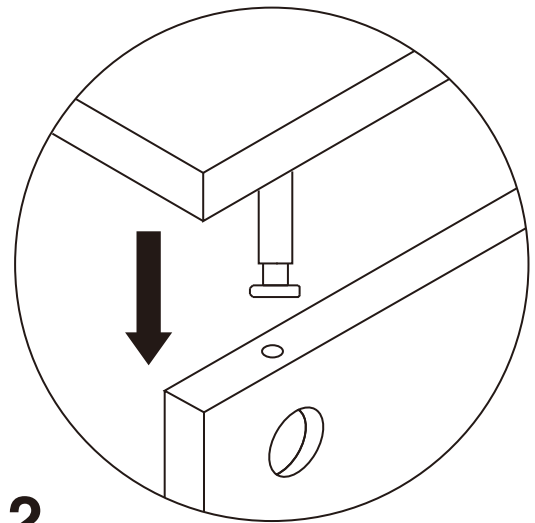


screwdriver



**1**

Screw the cam bolt into panel.



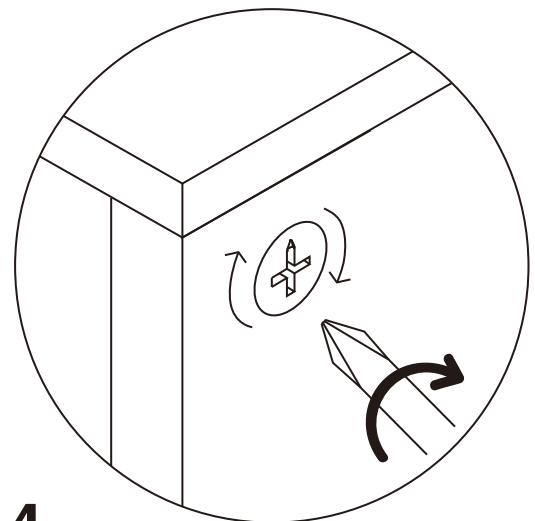
**2**

Insert the cam bolt into the bolt hole of joint panel.



**3**

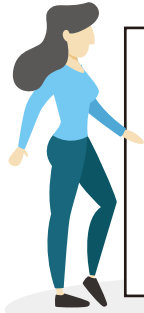
Align the cam lock with its side opening (or arrow) pointing to cam bolt.



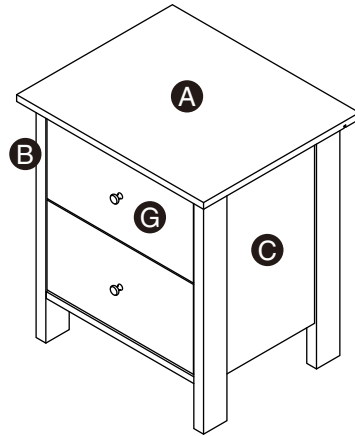
**4**

Turn the cam lock clockwise gently until it will not turn any more.

# DRAWER CABINET

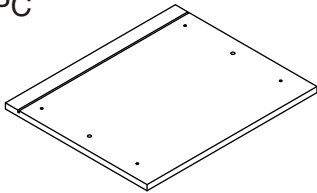


- Please keep instructions for future reference.
- Check the quantity and irregularity of parts and hardware before you start.

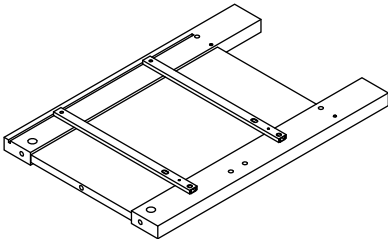


## PARTS

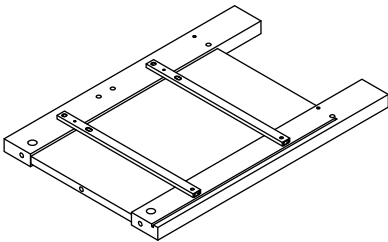
**A** 1PC



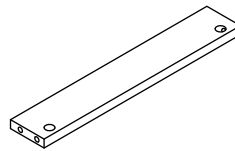
**B** 1PC



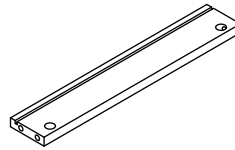
**C** 1PC



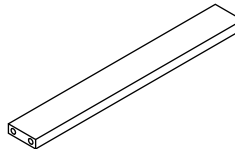
**D** 1PC



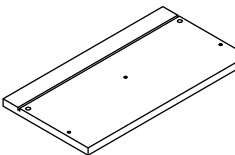
**E** 1PC



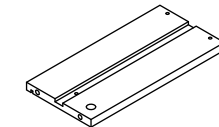
**F** 1PC



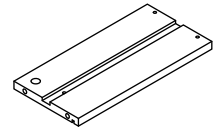
**G** 2PCS



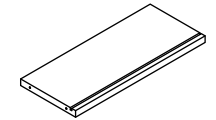
**H** 2PCS



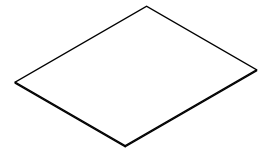
**I** 2PCS



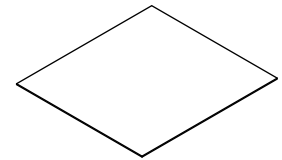
**J** 2PCS



**K** 2PCS

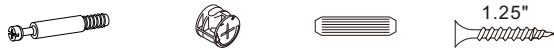


**L** 1PC



## HARDWARE

① 12PCS ② 12PCS ③ 14PCS ④ 8PCS

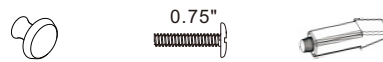


⑤ 4PCS ⑥ 4PCS ⑦ 4PCS



## ACCESSORIES

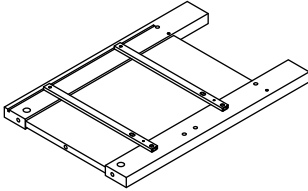
A1) 2PCS A2) 2PCS A3) 1PC



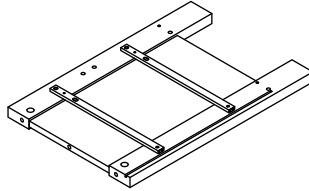
# GET READY

Please group boards as below.

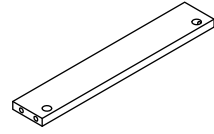
**B** 1PC



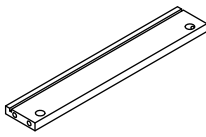
**C** 1PC



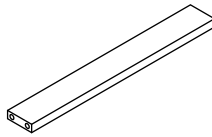
**D** 1PC



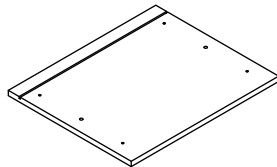
**E** 1PC



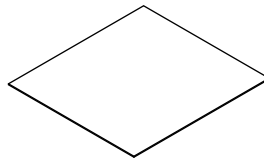
**F** 1PC



**A** 1PC

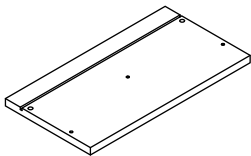


**L** 1PC

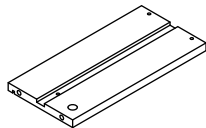


Body

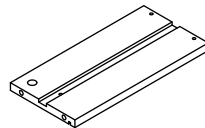
**G** 2PCS



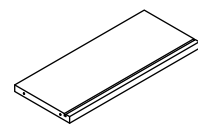
**H** 2PCS



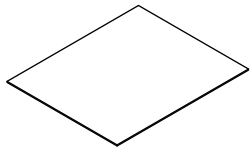
**I** 2PCS



**J** 2PCS



**K** 2PCS



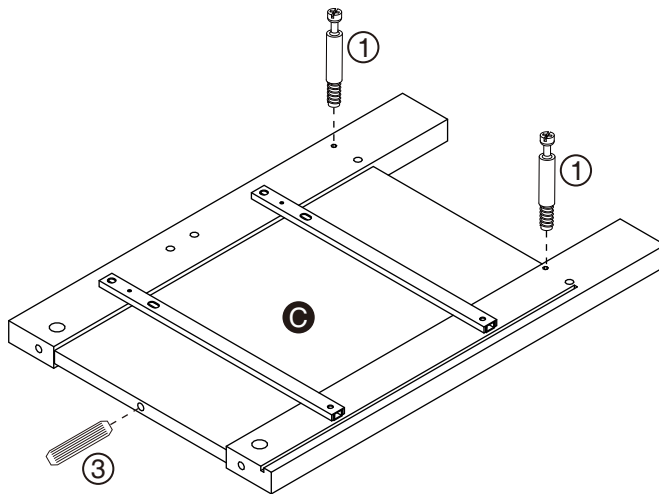
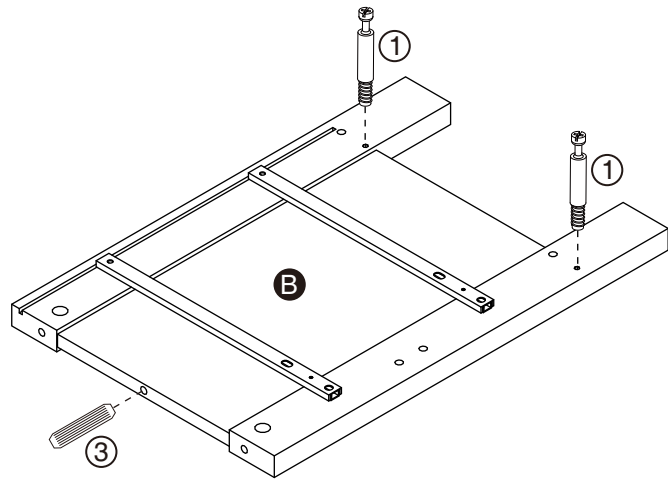
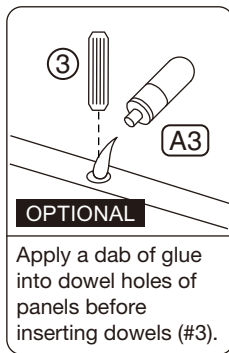
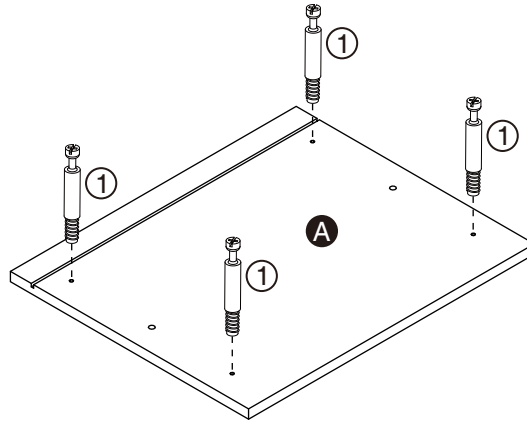
Drawer

# ASSEMBLY INSTRUCTIONS

# 1

Hardware ① x8PCS  
Hardware ③ x2PCS

Accessory (A3) x1PC

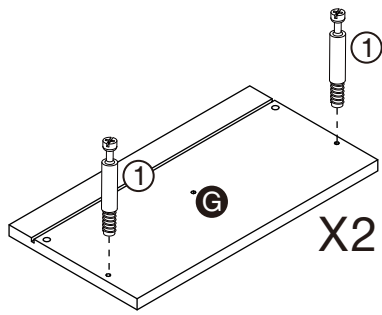
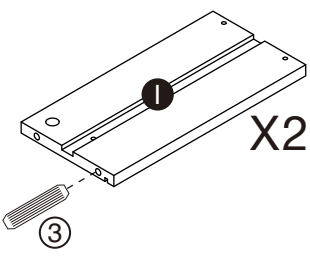
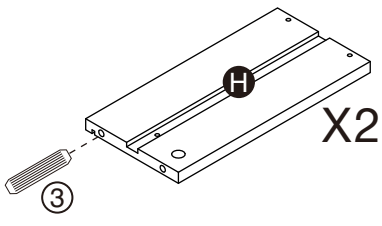
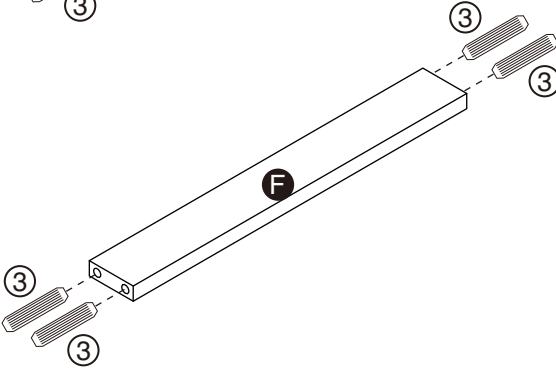
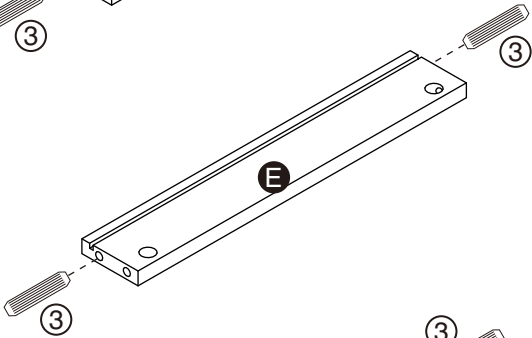
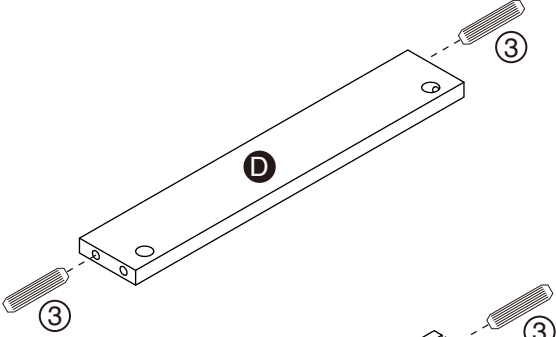
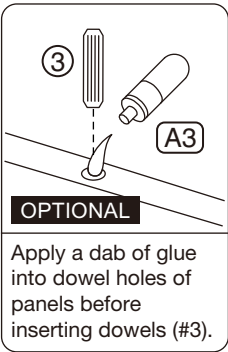


# ASSEMBLY INSTRUCTIONS

## 2

Hardware ① x4PCS  
Hardware ③ x12PCS

Accessory A3 x1PC



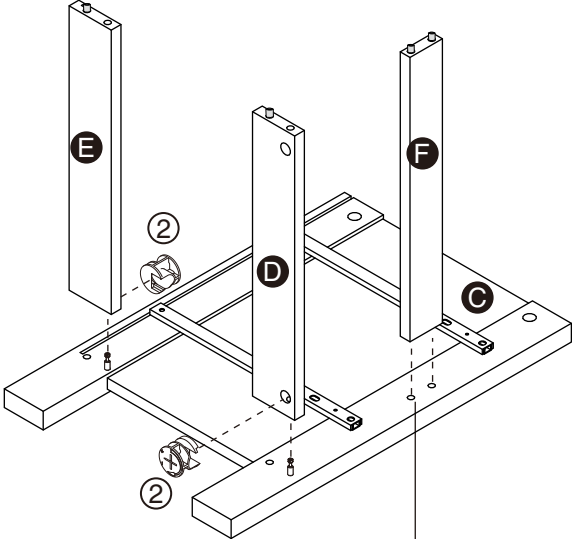
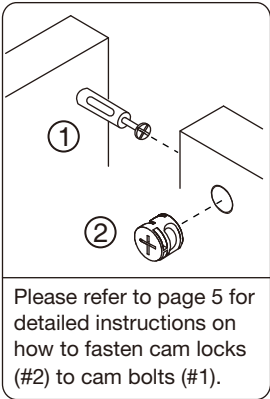
# ASSEMBLY INSTRUCTIONS

## 3

- Part **C** x1PC
- Part **D** x1PC
- Part **E** x1PC
- Part **F** x1PC

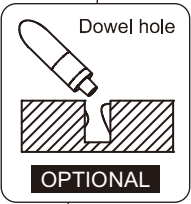
Hardware **②** x2PCS

Accessory **A3** x1PC



Top

Front

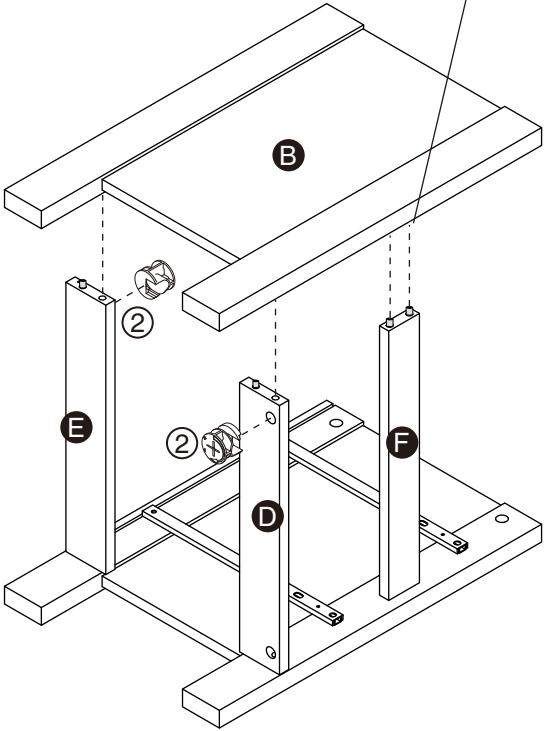


## 4

- Part **B** x1PC

Hardware **②** x2PCS

Accessory **A3** x1PC



Top

Front

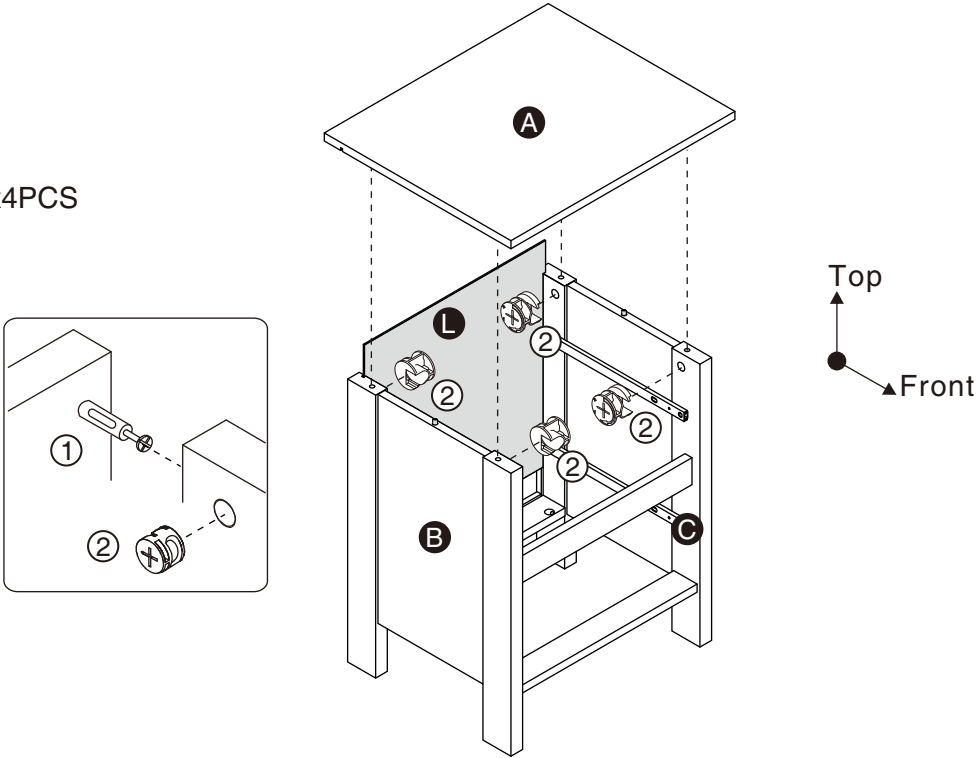
# ASSEMBLY INSTRUCTIONS

## 5

Part **A** x1PC

Part **L** x1PC

Hardware **2** x4PCS



## 6

Part **G** x2PCS

Part **H** x2PCS

Part **I** x2PCS

Part **J** x2PCS

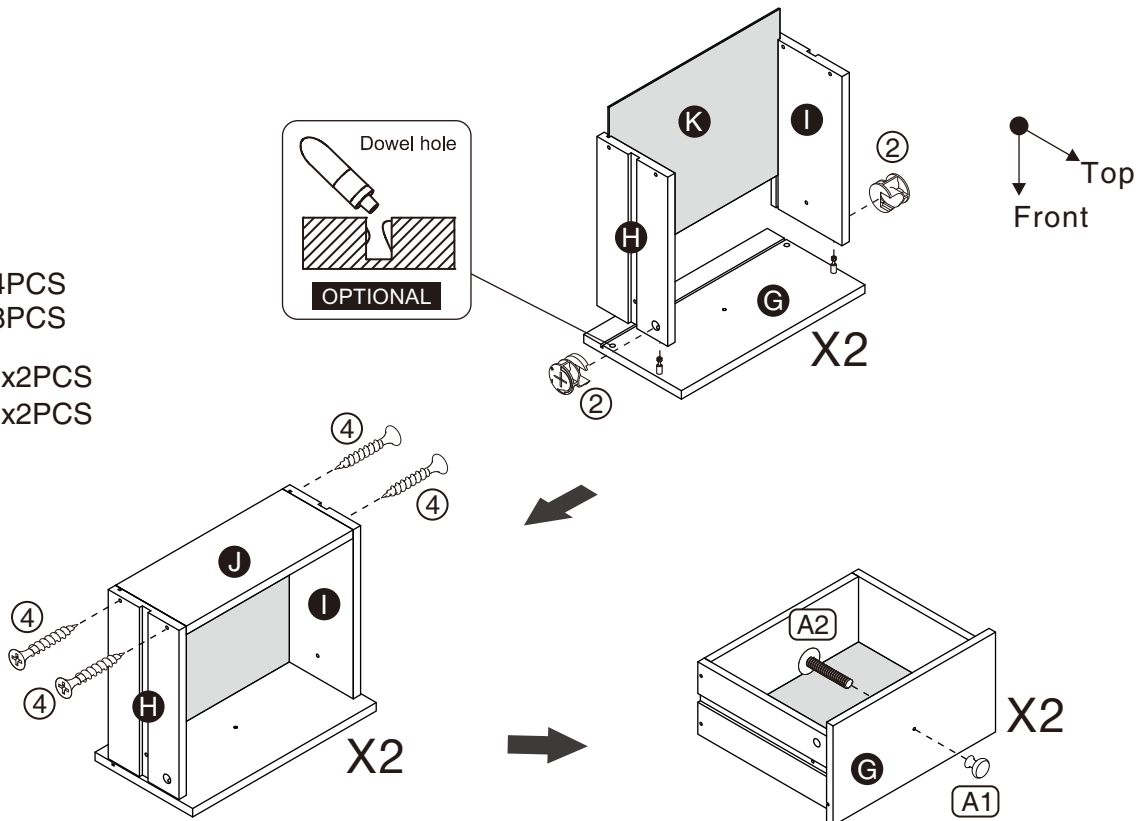
Part **K** x2PCS

Hardware **2** x4PCS

Hardware **4** x8PCS

Accessory **A1** x2PCS

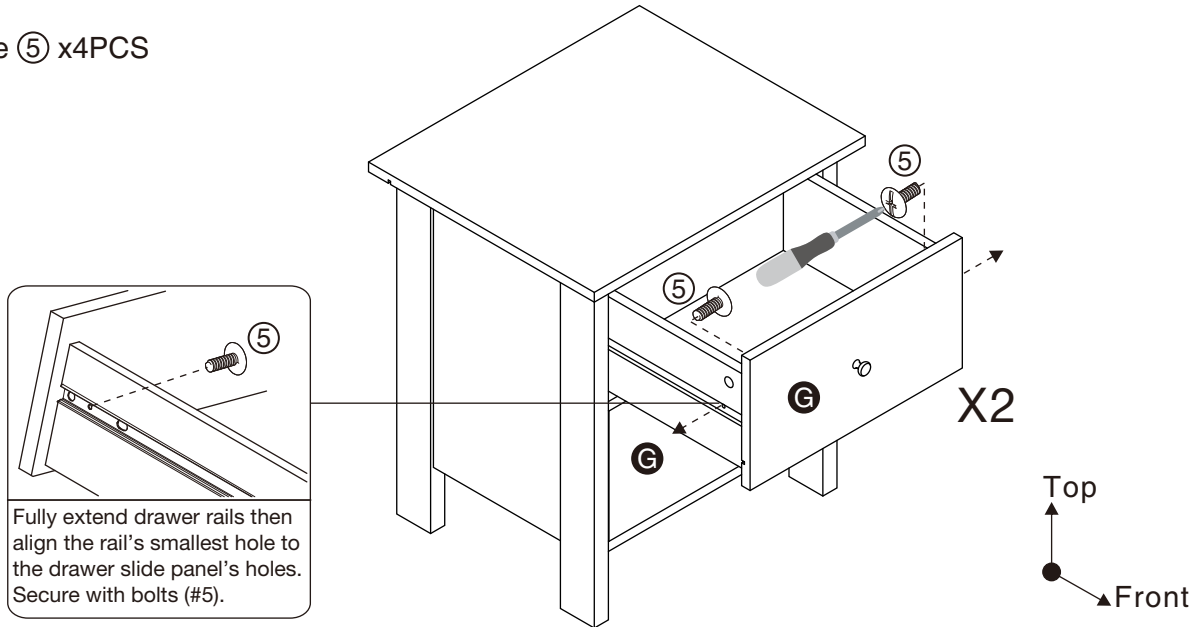
Accessory **A2** x2PCS



# ASSEMBLY INSTRUCTIONS

## 7

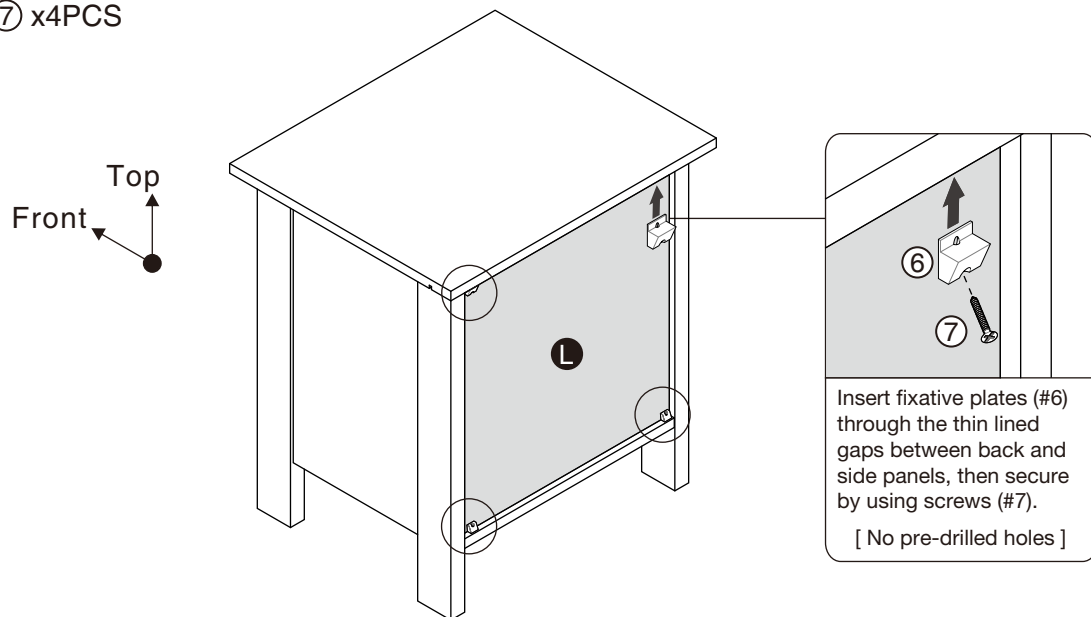
Hardware ⑤ x4PCS



## 8

Hardware ⑥ x4PCS

Hardware ⑦ x4PCS



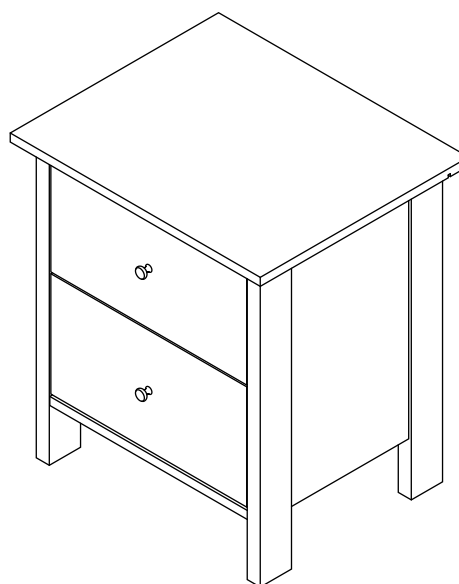
# ASSEMBLY INSTRUCTIONS

## 9

### ASSEMBLY COMPLETED



Please ensure the furniture rests on an even and flat surface. If the product wobbles or feels loose, double-check all bolts and/or screws are properly tightened and secured.



#### ✓ **Keep this handy!**

Please retain this instruction manual and any order-related information for future reference.

#### ✓ **Lift, don't drag!**

To avoid damage to product please always LIFT the product when transporting or adjusting the placement.