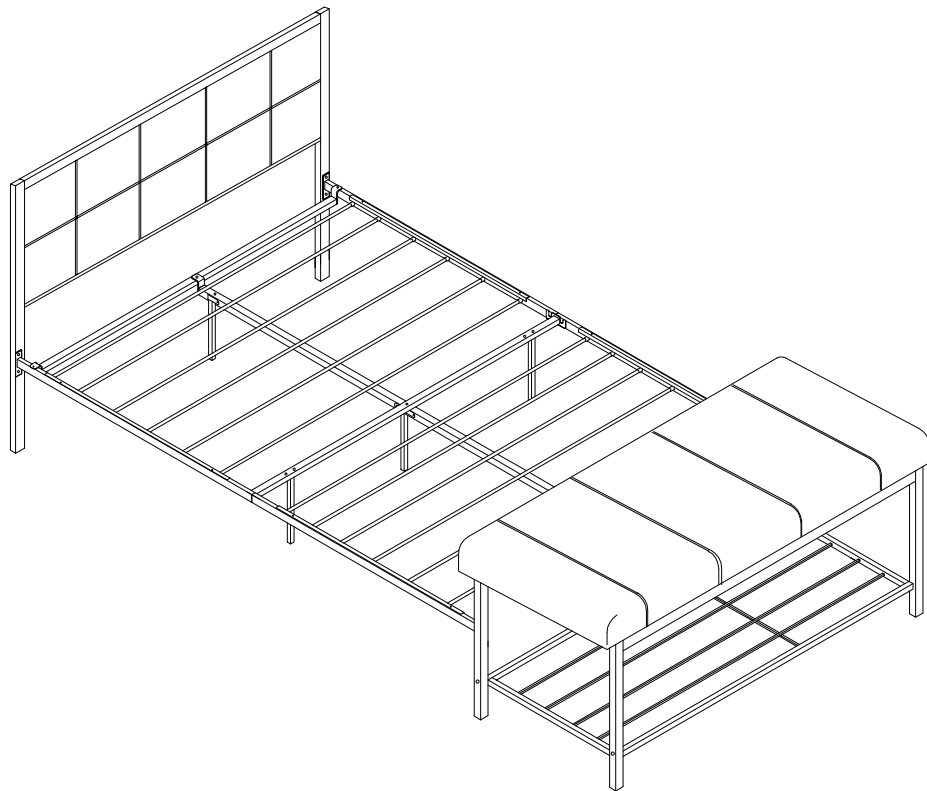


ASSEMBLY INSTRUCTIONS



TOOLS REQUIRED



Allen Wrench

(Included)



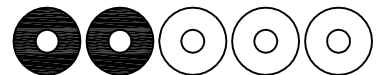
Phillips
Screwdriver

(Not Included)



2 - Persons
Recommended

ASSEMBLY RATING



EASY ————— DIFFICULT

The Assembly Rating is a 5-point system showing the level of effort needed to assemble a specific product.



CHECK BEFORE STARTING

Are you missing anything?

Double-check all parts, hardware and accessories listed on Page 6 are accounted for.

Check out our Quick Tips!

We recommend reviewing the pre-assembly handouts. Even experts need a refresher now and then!

Should we send any replacements?

Are there any irregularities or flaws in the parts? We can send replacements!

Prep Time!

Please review the assembly instructions and all diagrams prior to assembling. Arrange parts as recommended on Page 7 and group identical hardware together to make assembling easier.

PRE ASSEMBLY INTRODUCTION

We understand building ready-to-assemble furniture can be a challenging experience for some. To help avoid confusion, we have provided some helpful tips that may speed up the process.



Teamwork

ALWAYS have at least two people to help with transporting and assembling the product to avoid potential injury and/or damage.



Suitable Location

Assembling near the area of the intended location is highly recommended.



Sufficient Space

Make sure you have enough space to move around during the assembly.



Avoid Scratches

Use cardboard, blankets or a carpeted area while assembling furniture to prevent scratches.



Flat Surface

Make sure the furniture rests on a flat and level surface with each leg evenly touching the floor.

ASSEMBLY AND CARE ADVICE



FAILURE TO FOLLOW THE GUIDELINES BELOW MAY RESULT IN INJURY AND/OR PROPERTY DAMAGE.



Position each part correctly and insert screws or bolts into their respective holes.



Turn clockwise to tighten and only tighten when step is completed or when instructed to do so.



Use the appropriate hand tools or power tools for assembly. Select steps, such as tightening screws and/or bolts, may require hand tools to avoid causing damage during assembly.



Save the instructions and store any supplied tools for later maintenance.



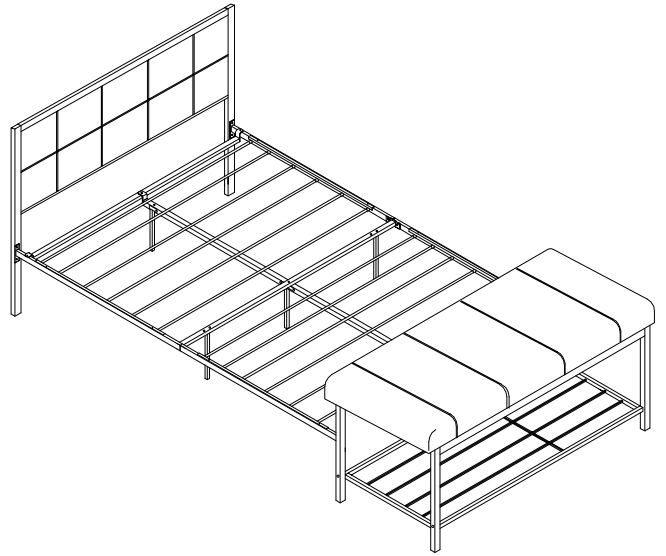
After two weeks, check and tighten any loose hardware and repeat again every six months thereafter.

IT IS THE USER'S RESPONSIBILITY TO MAINTAIN THE FURNITURE. THE HARDWARE MAY LOOSEN OVER TIME AND MAY CAUSE THE FURNITURE TO BE WOBBLY AND UNABLE TO SUPPORT ITS INTENDED WEIGHT CAPACITY. THIS MAY LEAD TO COLLAPSE AND MAY CAUSE SERIOUS INJURY.

BED



- Please keep instructions for future reference.
- Check the quantity and irregularity of parts and hardware before you start.



PARTS

#1 1pc



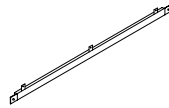
Headboard
Left Support

#2 1pc



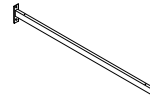
Headboard
Right Support

#3 2pcs



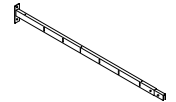
Headboard
Cross-bar

#4 2pcs



Bed Rail A

#5 2pcs



Bed Rail B

#6 1pc



Bench Leg A

#7 1pc



Bench Leg B

#8 1pc



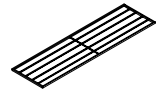
Bench Leg C

#9 1pc



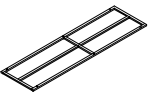
Bench Leg D

#10 1pc



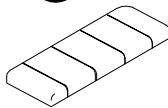
Shelf frame

#11 1pc



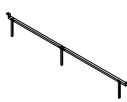
Seat support frame

#12 1pc



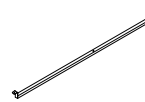
Seat Cushion

#13 1pc



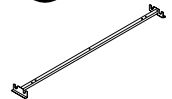
Center Support Rail

#14 2pcs



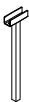
Rail Support

#15 1pc



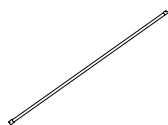
Rail Center Support

#16 2pcs



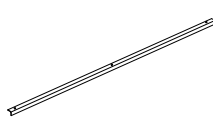
Support Leg

#17 12pcs



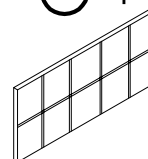
Bed Slat

#18 4pcs



Rail Reinforce

#19 1pc

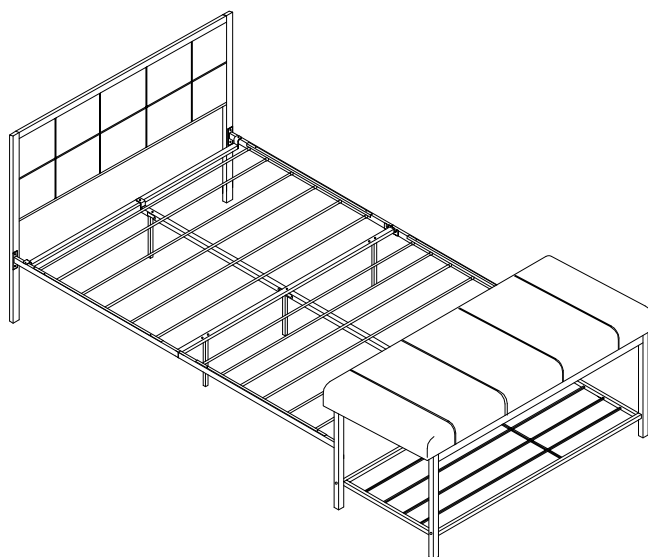


Headboard Panel

BED



- Please keep instructions for future reference.
- Check the quantity and irregularity of parts and hardware before you start.



HARDWARE

#A 40pcs



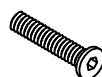
Bolt 1/4" x 3/8"

#B 4pcs



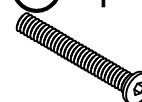
Bolt 1/4" x 1"

#C 2pcs



Bolt 1/4" x 1-3/8"

#D 5pcs



Bolt 1/4" x 2"

#E 4pcs



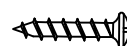
Bolt M8 x 3/8"

#F 6pcs



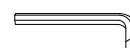
Bolt M6 x 3/4"

#G 6pcs



Screw M5X1- 1/4"

#H 1pc



Allen Wrench M4

#I 1pc



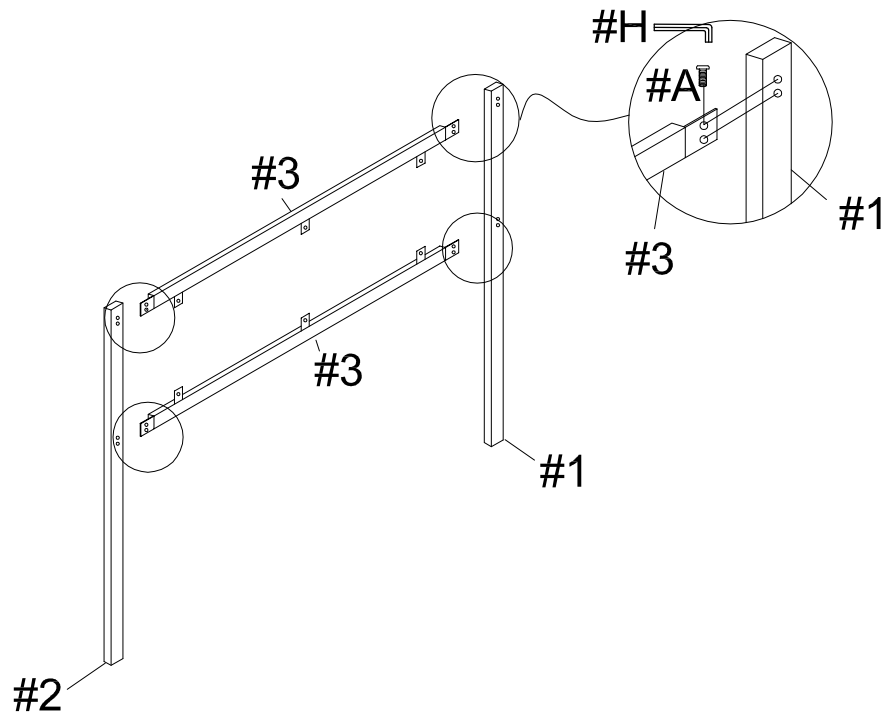
Allen Wrench M5

ASSEMBLY INSTRUCTIONS

1

- Part #1 × 1pc
- Part #2 × 1pc
- Part #3 × 2pcs
- Hardware #A × 8pcs

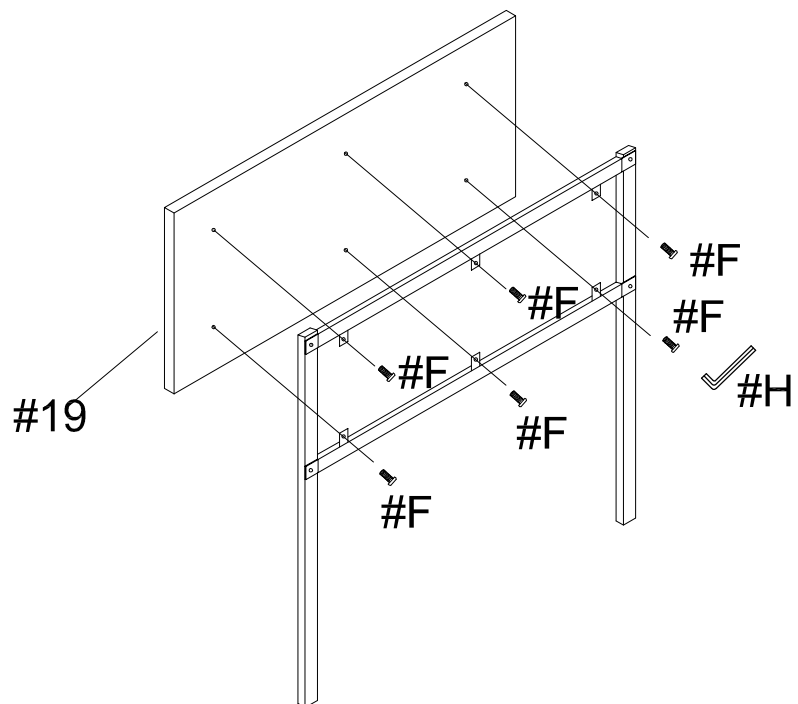
Align HB crossbars (#3) to the HB supports (#1,2), then secure by using bolts (#A).



2

- Part #19 × 1pc
- Hardware #F × 6pcs

Align HB to HB panel (#19), then secure by using bolts (#F).



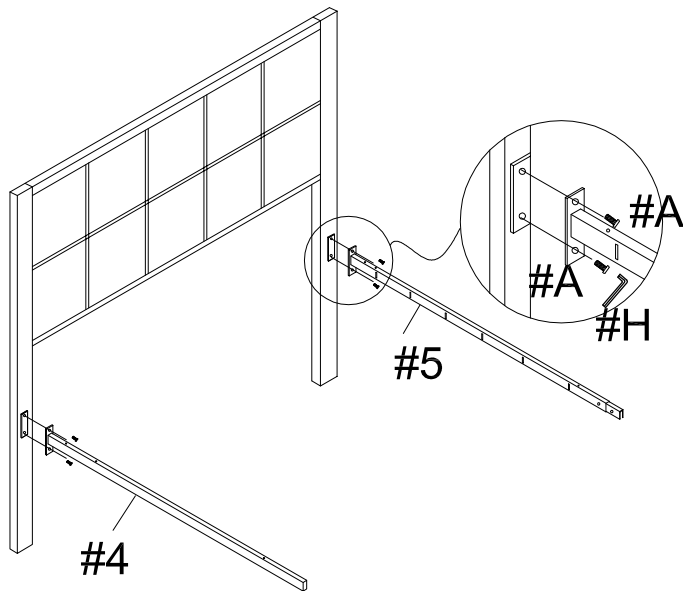
ASSEMBLY INSTRUCTIONS

3

Part #4 × 1pc

Part #5 × 1pc

Hardware #A × 4pcs



4

Part #6 × 1pc

Part #7 × 1pc

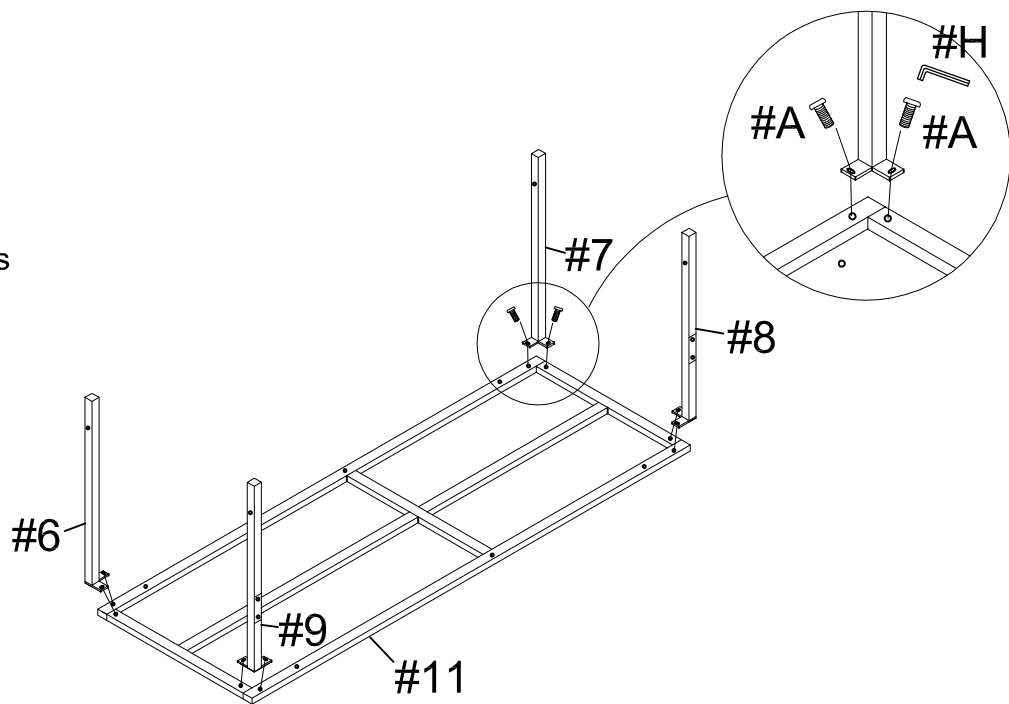
Part #8 × 1pc

Part #9 × 1pc

Part #11 × 1pc

Hardware #A × 8pcs

Align bench legs (#6,7,8,9) to the seat support frame (#11) just like how it's shown in the diagram. Secure by using bolts (#A).



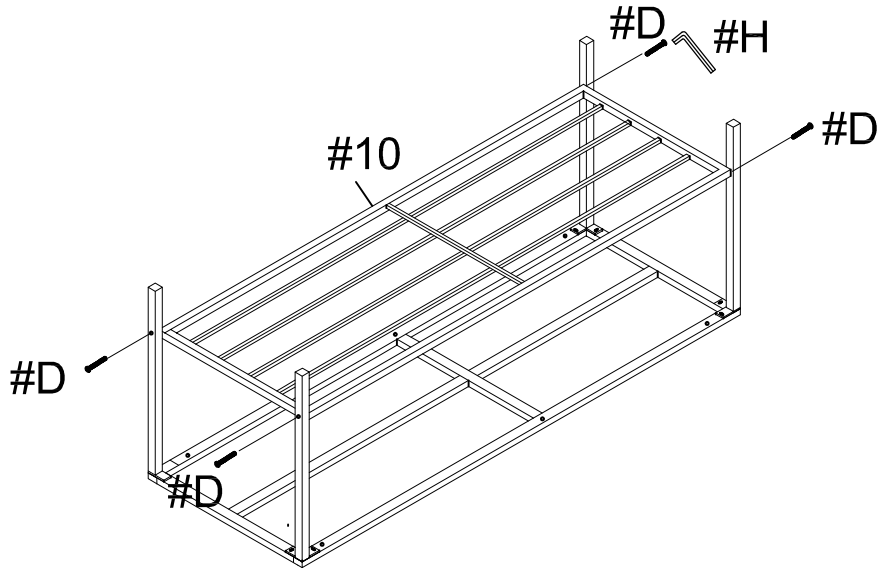
ASSEMBLY INSTRUCTIONS

5

Part #10 ×1pc

Hardware #D ×4pcs

Align shelf frame (#10) to the legs, then secure by using bolts (#D).

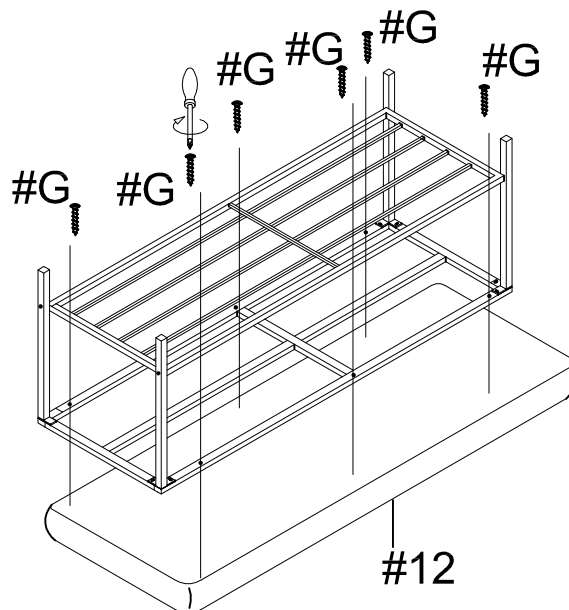


6

Part #12 ×1pc

Hardware #G ×6pcs

Align bench frame to seat cushion (#12), then secure by using screws (#G). There will be no pre-drilled holes of the seat cushion (#12).



ASSEMBLY INSTRUCTIONS

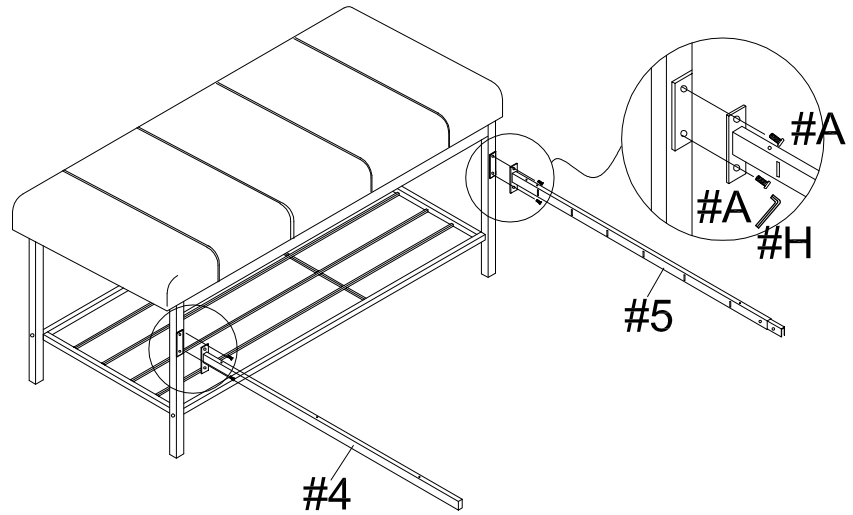
7

Part #4 × 1pc

Part #5 × 1pc

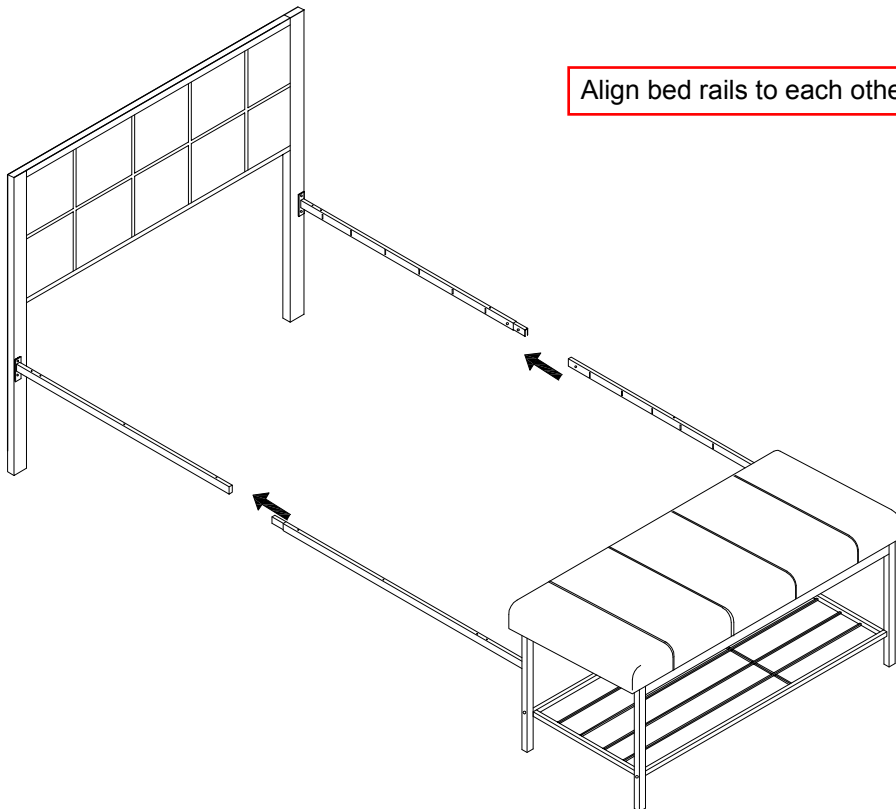
Hardware #A × 4pcs

Align bed rails (#4,5) to the bench, then secure by using bolts (#A).



8

Align bed rails to each other.



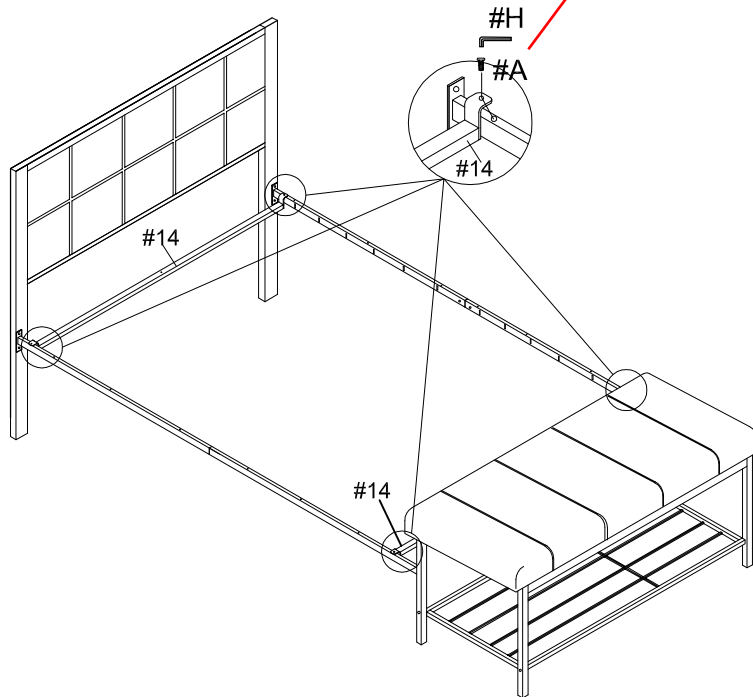
ASSEMBLY INSTRUCTIONS

9

Part #14 × 2pcs

Hardware #A × 4pcs

Align rail supports (#14) to the bed rails, then secure by using bolts (#A).

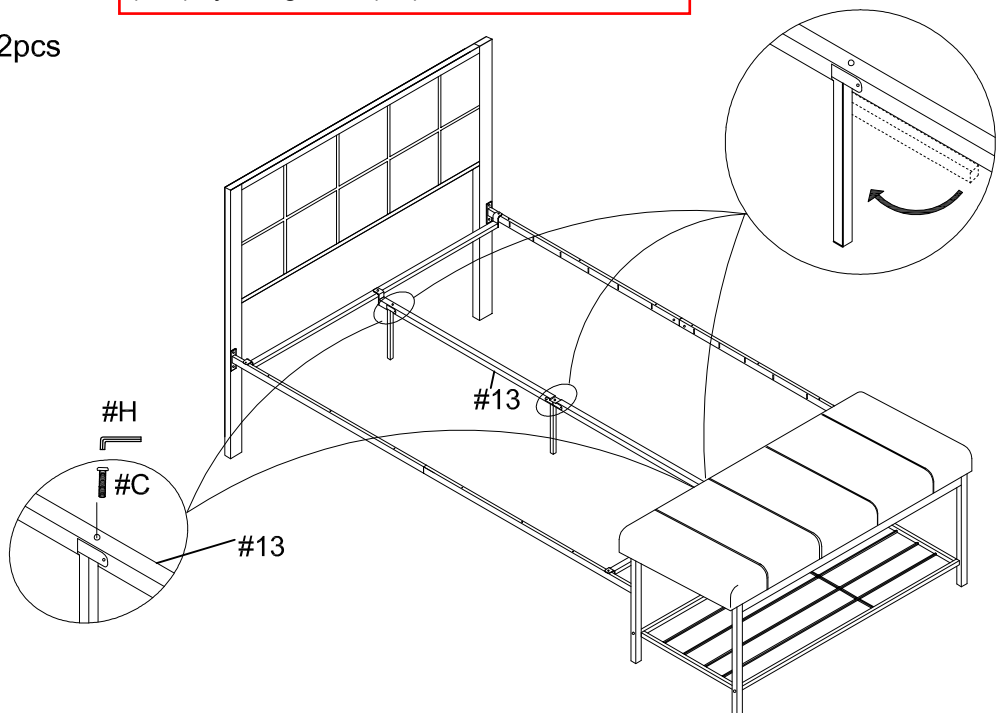


10

Part #13 × 1pc

Hardware #C × 2pcs

Unfold the legs on the center support rail (#13), then align center support rail (#13) to the rail supports. Secure legs on center support rail (#13) by using bolts (#C).



ASSEMBLY INSTRUCTIONS

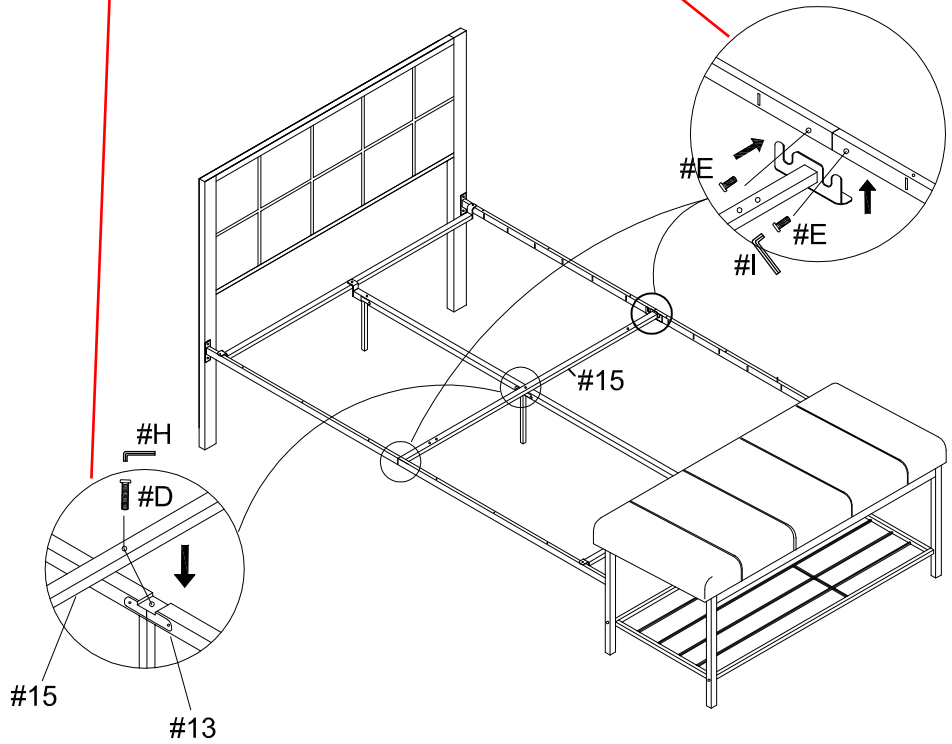
11

Part #15 × 1pc

Hardware #D × 1pc

Hardware #E × 4pcs

Align rail center support (#15) to the center of the rails, then secure by using bolts (#D,E) as shown in both diagrams.

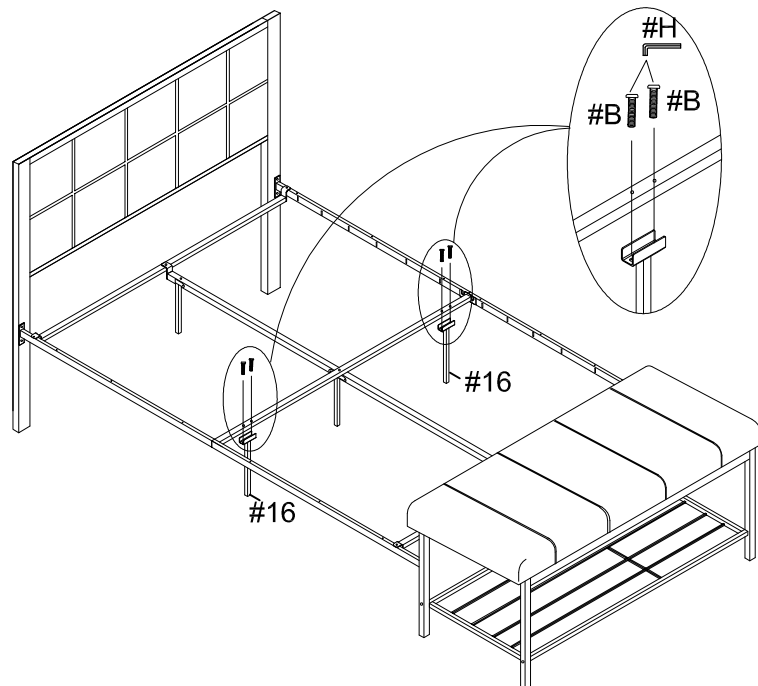


12

Part #16 × 2pcs

Hardware #B × 4pcs

Align support legs (#16) to the rail center support, then secure by using bolts (#B).

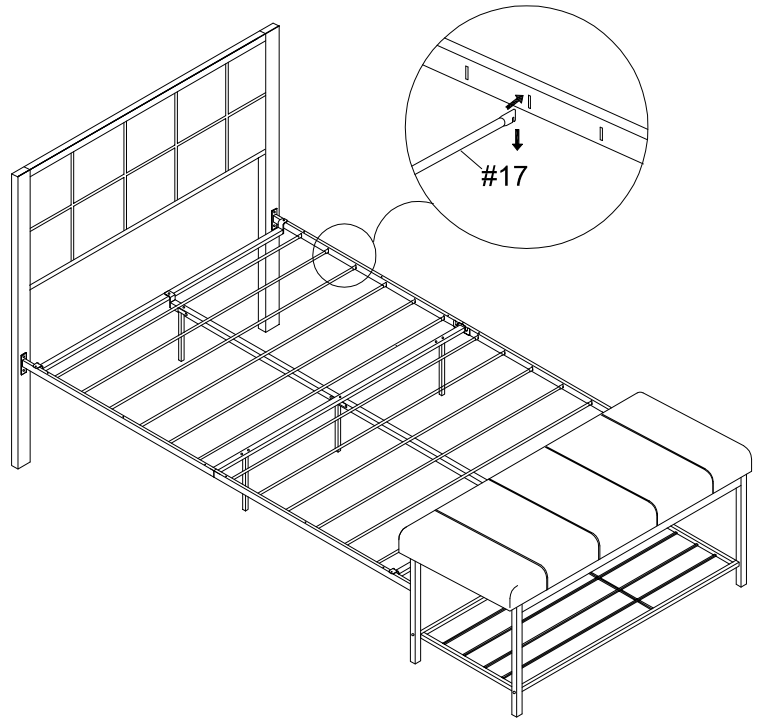


ASSEMBLY INSTRUCTIONS

13

Part #17 ×12pcs

Align and attach bed slats (#17) to the bed rails.



14

Part #18 ×4pcs

Hardware #A ×12pcs

Align rail reinforce (#18) to the bed rails, then secure by using bolts (#A).

