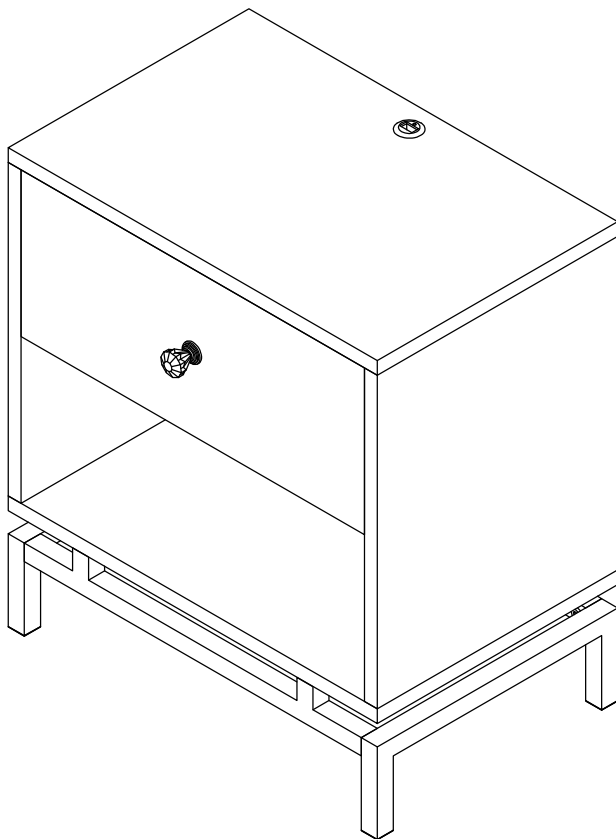


# ASSEMBLY INSTRUCTIONS



## TOOLS REQUIRED



Allen Wrench

(Included)



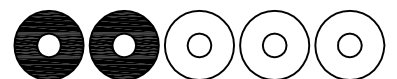
Phillips  
Screwdriver

(Not Included)



**2 - People  
Recommended**

## ASSEMBLY RATING



EASY —————> DIFFICULT

The Assembly Rating is a 5-point system showing the level of effort needed to assemble a specific product.



## **CHECK BEFORE STARTING**

### **Are you missing anything?**

Double-check all parts, hardware and accessories listed on Page 6 are accounted for.

### **Check out our Quick Tips!**

We recommend reviewing the pre-assembly handouts. Even experts need a refresher now and then!

### **Should we send any replacements?**

Are there any irregularities or flaws in the parts? We can send replacements!

### **Prep Time!**

Please review the assembly instructions and all diagrams prior to assembling. Arrange parts as recommended on Page 7 and group identical hardware together to make assembling easier.

# PRE ASSEMBLY INTRODUCTION

We understand building ready-to-assemble furniture can be a challenging experience for some. To help avoid confusion, we have provided some helpful tips that may speed up the process.



## Teamwork

ALWAYS have at least two people to help with transporting and assembling the product to avoid potential injury and/or damage.



## Suitable Location

Assembling near the area of the intended location is highly recommended.



## Sufficient Space

Make sure you have enough space to move around during the assembly.



## Avoid Scratches

Use cardboard, blankets or a carpeted area while assembling furniture to prevent scratches.



## Flat Surface

Make sure the furniture rests on a flat and level surface with each leg evenly touching the floor.

# ASSEMBLY AND CARE ADVICE



**FAILURE TO FOLLOW THE GUIDELINES BELOW MAY RESULT IN INJURY AND/OR PROPERTY DAMAGE.**



Position each part correctly and insert screws or bolts into their respective holes.



Turn clockwise to tighten and only tighten when step is completed or when instructed to do so.



Use the appropriate hand tools or power tools for assembly. Select steps, such as tightening screws and/or bolts, may require hand tools to avoid causing damage during assembly.



Save the instructions and store any supplied tools for later maintenance.



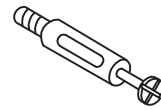
After two weeks, check and tighten any loose hardware and repeat again every six months thereafter.

**IT IS THE USER'S RESPONSIBILITY TO MAINTAIN THE FURNITURE. THE HARDWARE MAY LOOSEN OVER TIME AND MAY CAUSE THE FURNITURE TO BE WOBBLY AND UNABLE TO SUPPORT ITS INTENDED WEIGHT CAPACITY. THIS MAY LEAD TO COLLAPSE AND MAY CAUSE SERIOUS INJURY.**

# CAM LOCK FASTENER ASSEMBLY INSTRUCTIONS

## Note :

Every cam lock bolt must have a cam lock connector in order to fasten the parts together.



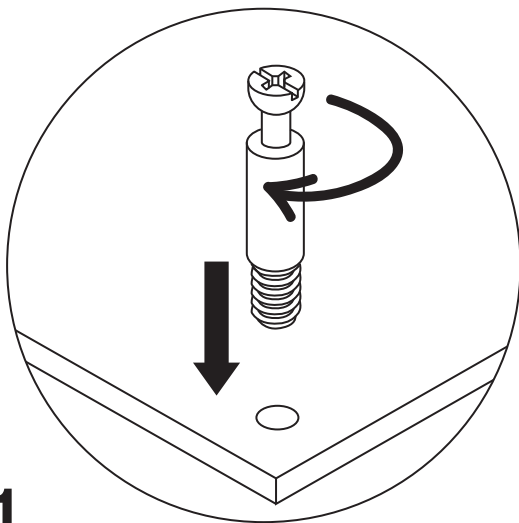
cam bolt



cam lock

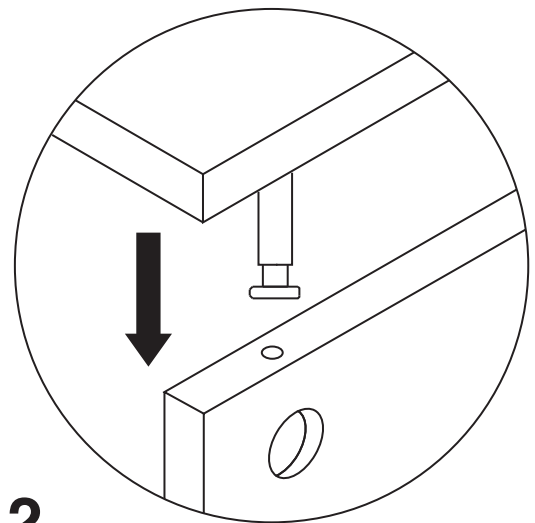


screwdriver



**1**

Screw the cam bolt into panel.



**2**

Insert the cam bolt into the bolt hole of joint panel.



**3**

Align the cam lock with its side opening (or arrow) pointing to cam bolt.



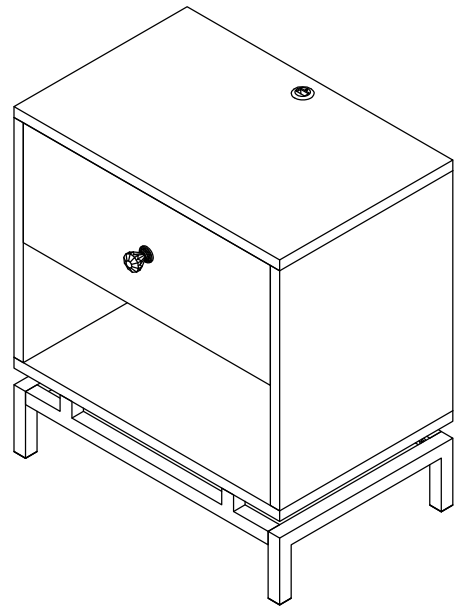
**4**

Turn the cam lock clockwise gently until it will not turn any more.

# SIDE TABLE

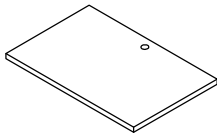


- Please keep instructions for future reference.
- Check the quantity and irregularity of parts and hardware before you start.



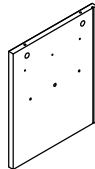
## PARTS

#1 1pc



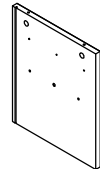
TOP PANEL

#2 1pc



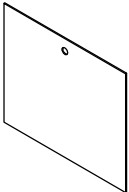
LEFT PANEL

#3 1pc



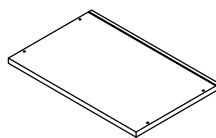
RIGHT PANEL

#4 1pc



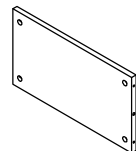
BACK PANEL

#5 1pc



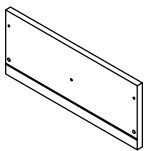
BOTTOM PANEL

#6 1pc



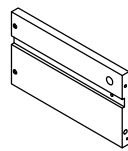
MIDDLE PANEL

#7 1pc



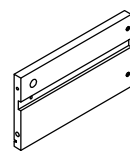
DRAWER FRONT PANEL

#8 1pc



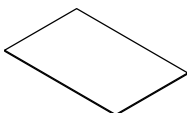
DRAWER LEFT PANEL

#9 1pc



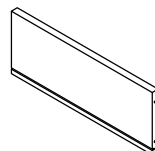
DRAWER RIGHT PANEL

#10 1pc



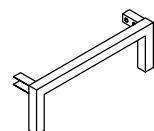
DRAWER BOTTOM PANEL

#11 1pc



DRAWER BACK PANEL

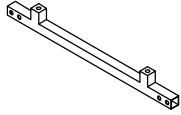
#12 2pcs



SIDE FRAME

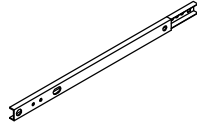
## PARTS

#13 2pcs



CROSSBAR

#14 2pcs



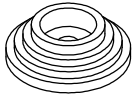
DRAWER SLIDE

#15 1pc



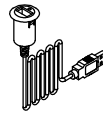
HANDLE

#16 1pc



HANDLE BASE

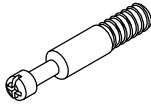
#17 1pc



USB

## HARDWARE

#A 10pcs



CAM-BOLT

#B 10pcs



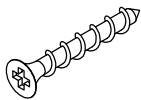
LARGE CAM-LOCK

#C 6pcs



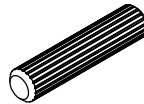
SLIDE SCREW

#D 8pcs



DRAWER SCREW

#E 4pcs



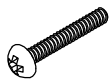
WOOD DOWEL  
8 x 30mm

#F 2pcs



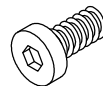
SLIDE BOLT  
5/32" x 12mm

#G 1pc



HANDLE BOLT

#H 8pcs



SHORT BOLT 1/4" x 12mm

#I 4pcs



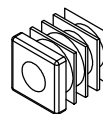
LONG BOLT 1/4" x 55mm

#J 4pcs



CAP 20 x 20mm

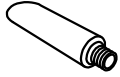
#K 4pcs



LEVELER 1/4" x 12mm

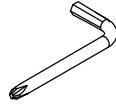
ACCESSORIES

#L 1pc



GLUE

#M 1pc



Allen Wench 4mm

# ASSEMBLY INSTRUCTIONS

1

Part #2 x1pc

Part #3 x1pc

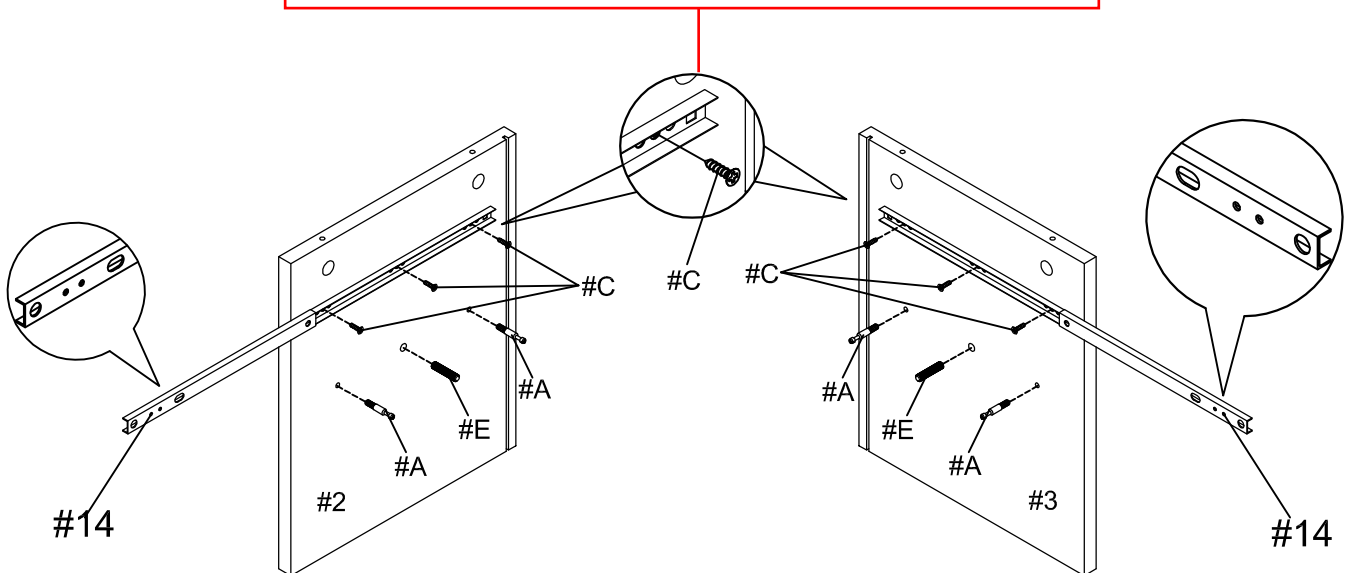
Part #14 x2pcs

Hardware #A x4pcs

Hardware #C x6pcs

Hardware #E x2pcs

Align and secure the rails (#14) to the left and right panels (#2,3). There are three holes per section of the rails (#14); please align and screw the middle holes of each 3 hole section of the rails (#14).

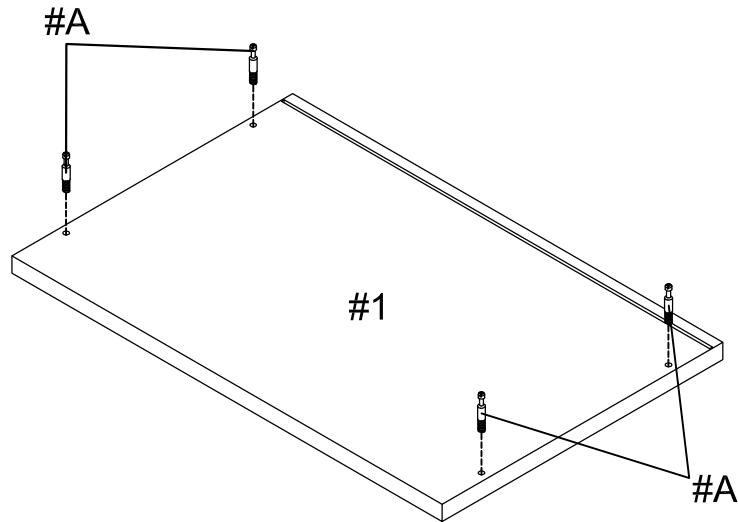


# ASSEMBLY INSTRUCTIONS

## 2

Part #1 x1pc

Hardware #A x4pcs

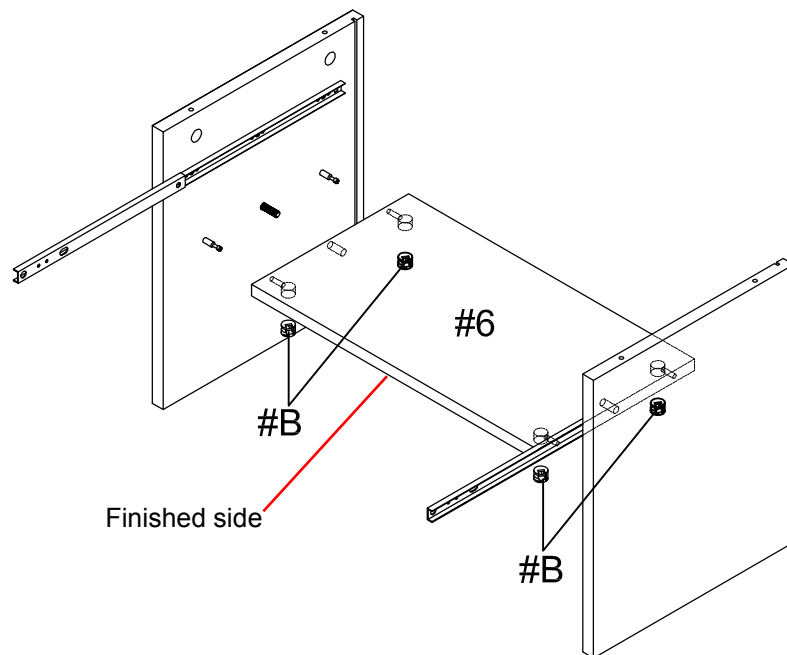


## 3

Part #6 x1pc

Hardware #B x4pcs

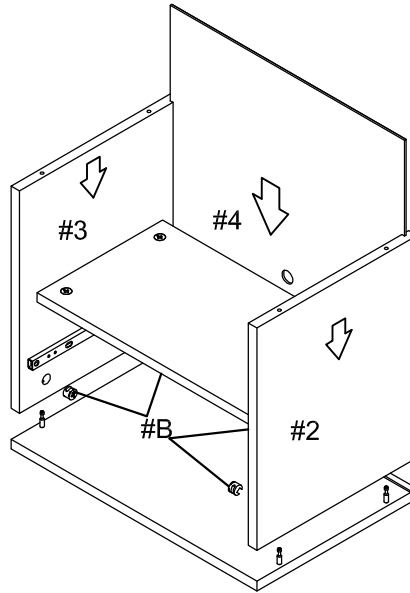
Please reference page 5 on how to secure cam locks (#B) onto cam bolts.



# ASSEMBLY INSTRUCTIONS

## 4

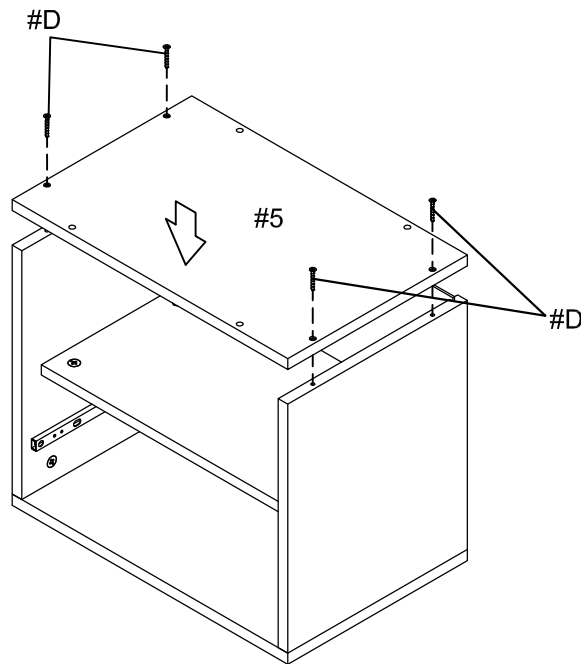
- Part #2 x1pc
- Part #3 x1pc
- Part #4 x1pc
- Hardware #B x4pcs



Slide back panel (#4) through the thin lined gaps of the unit.

## 5

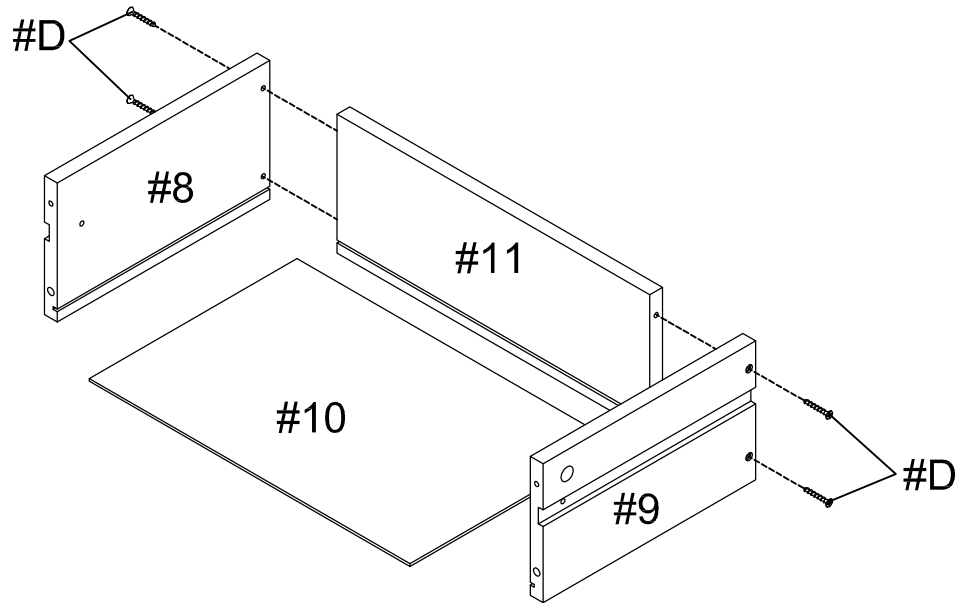
- Part #5 x1pc
- Hardware #D x4pcs



# ASSEMBLY INSTRUCTIONS

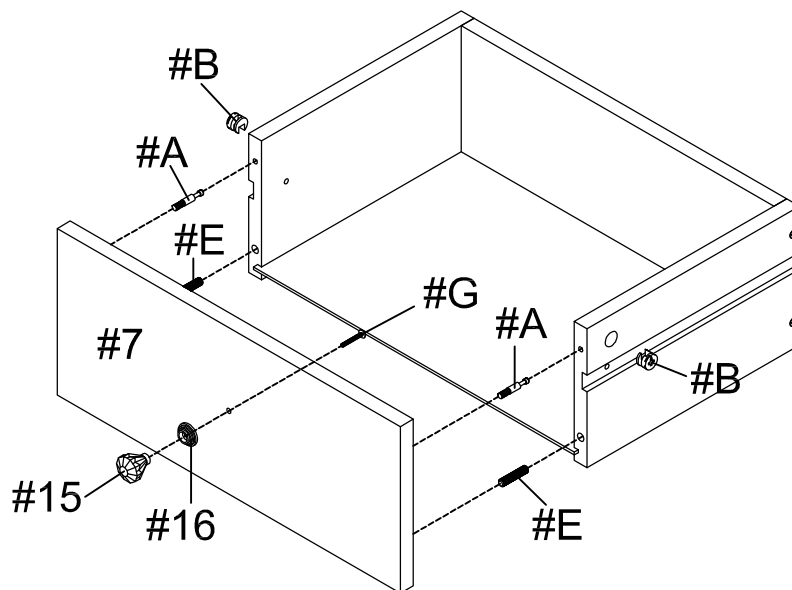
## 6

- Part #8 x1pc
- Part #9 x1pc
- Part #10 x1pc
- Part #11 x1pc
- Hardware #D x4pcs



## 7

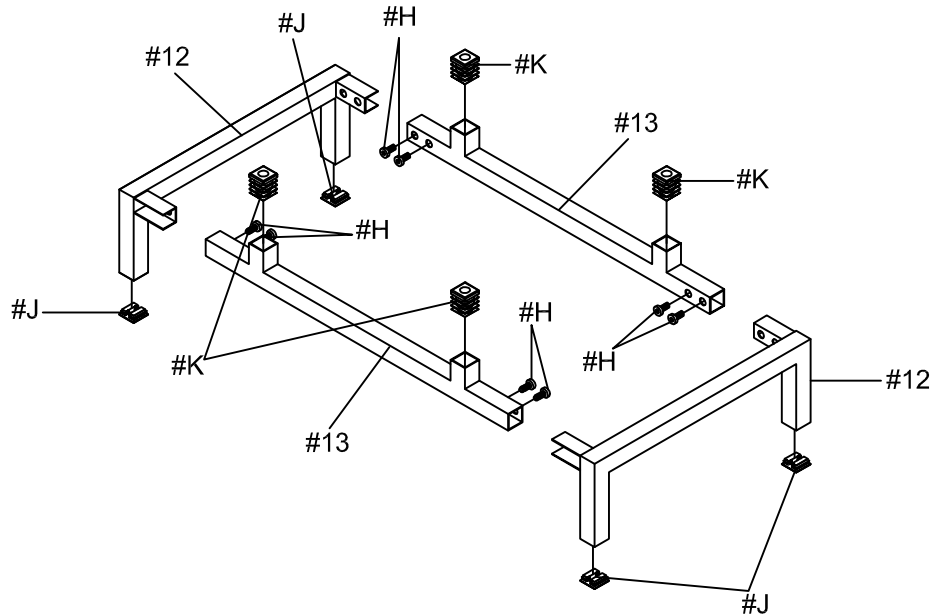
- Part #7 x1pc
- Part #15 x1pc
- Part #16 x1pc
- Hardware #A x2pcs
- Hardware #B x2pcs
- Hardware #E x2pcs
- Hardware #G x1pc



# ASSEMBLY INSTRUCTIONS

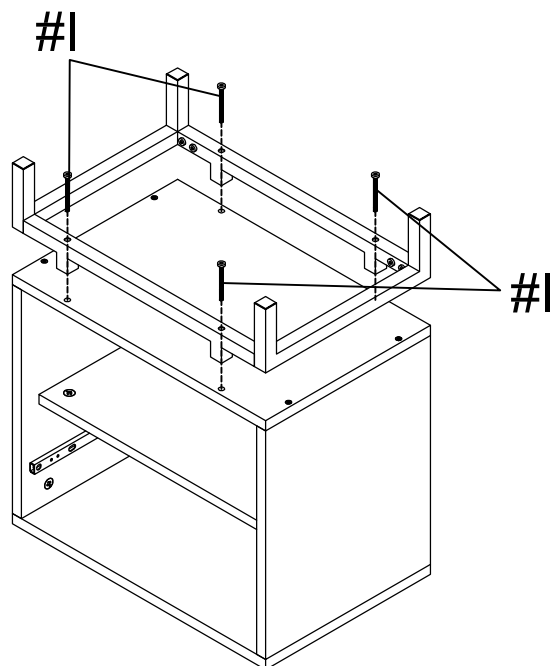
## 8

- Part #12 x2pcs
- Part #13 x2pcs
- Hardware #H x8pcs
- Hardware #J x4pcs
- Hardware #K x4pcs



## 9

- Hardware #I x4pcs

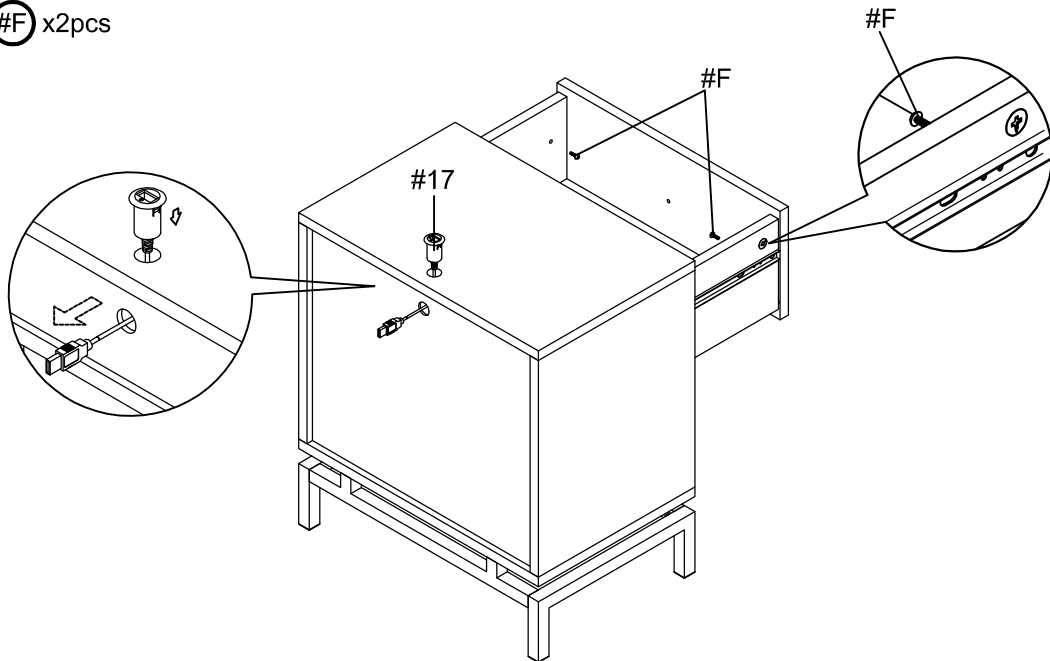


# ASSEMBLY INSTRUCTIONS

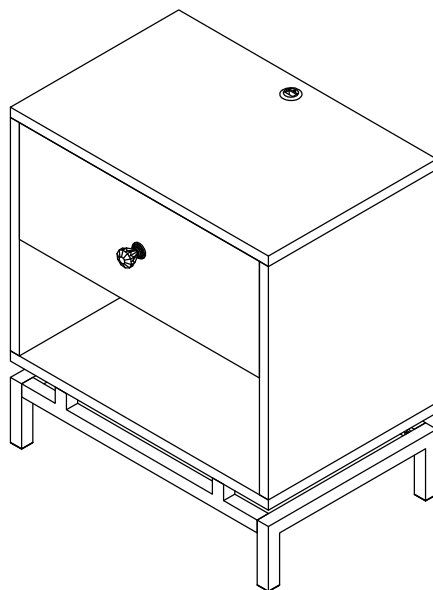
## 10

Part **#17** x1pc  
Hardware **#F** x2pcs

Extend drawer rails to align to the drawer, then secure by using bolts (#F) from the inside of the drawer.



## 11



### ASSEMBLY COMPLETED



Please ensure the furniture rests on an even and flat surface. If the product wobbles or feels loose, double-check all bolts and/or screws are properly tightened and secured.



#### Keep this handy!

Please retain this instruction manual and any order-related information for future reference.



#### Lift, don't drag!

To avoid damage to product please always LIFT the product when transporting or adjusting the placement.