

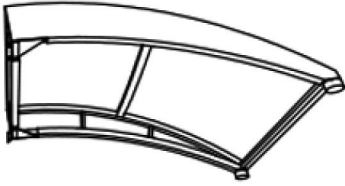
# ASSEMBLY INSTRUCTIONS

OUTDOOR LOUNGER

# PARTS

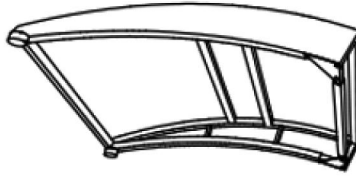
Check that you've received all parts listed below.

(A)



(1 pc)

(B)



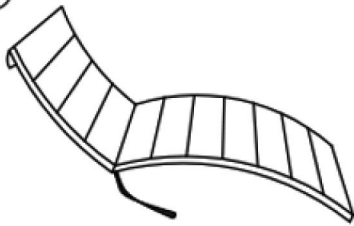
(1 pc)

(C)



(1 pc)

(D)

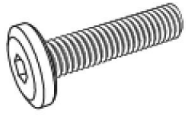


(1 pc)

# HARDWARE

Check that you've received all hardware listed below.

① M6x20 mm



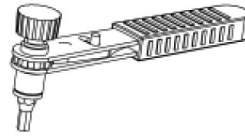
(8 pcs)

② Allen key 4x98 mm



(1 pc)

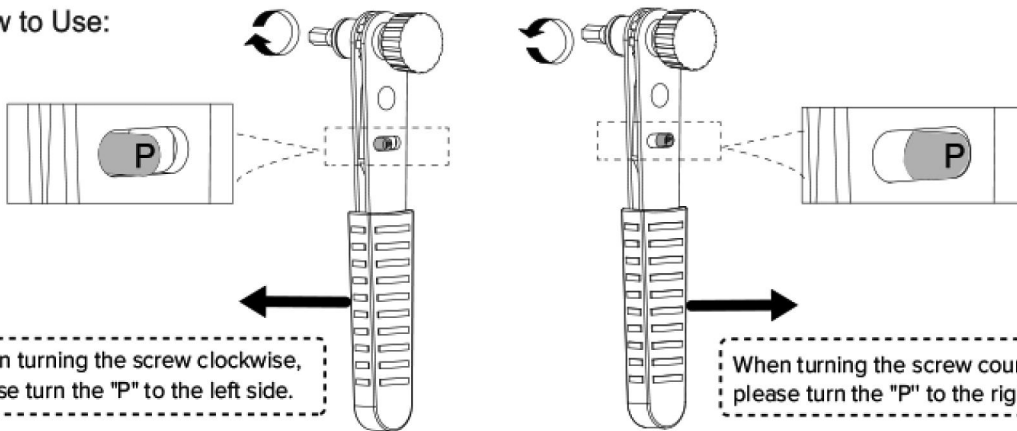
③ Torque wrench



(1 pc)

## Torque Wrench

How to Use:



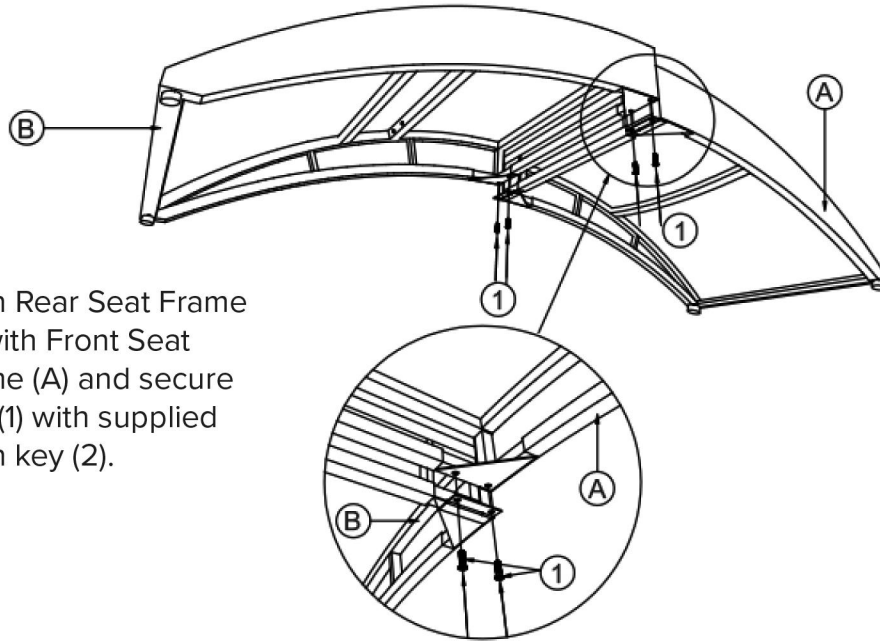
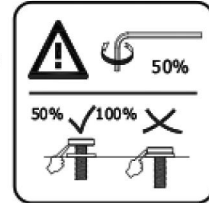
When turning the screw clockwise, please turn the "P" to the left side.

When turning the screw counterclockwise, please turn the "P" to the right side.

NOTE: A Torque Wrench is the recommended alternative to an Allen key and is typically easier to use.

# STEP 1

Tighten bolts halfway

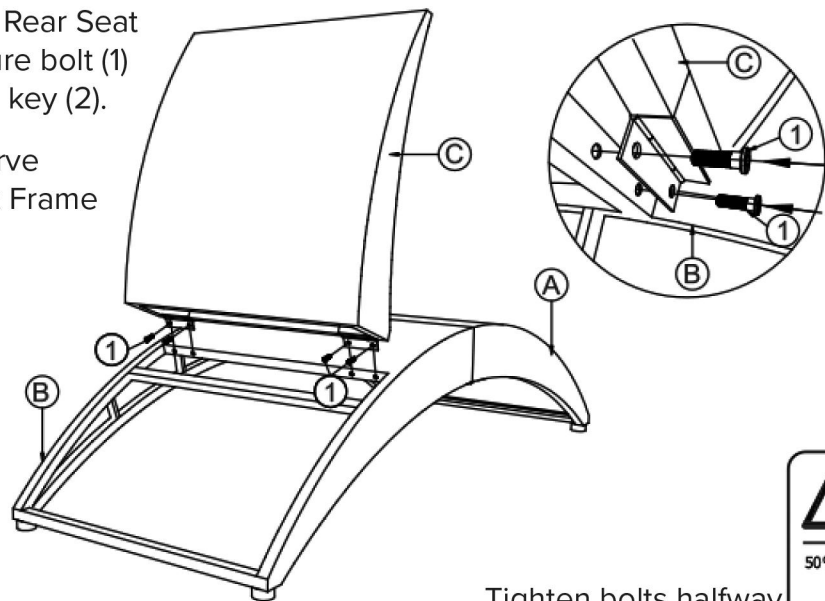


Align Rear Seat Frame (B) with Front Seat Frame (A) and secure bolt (1) with supplied Allen key (2).

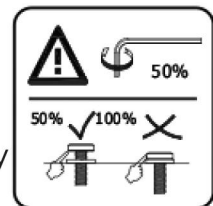
# STEP 2

Align Back (C) with Rear Seat Frame (B) and secure bolt (1) with supplied Allen key (2).

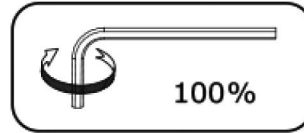
Back (C) should curve towards Front Seat Frame (A).



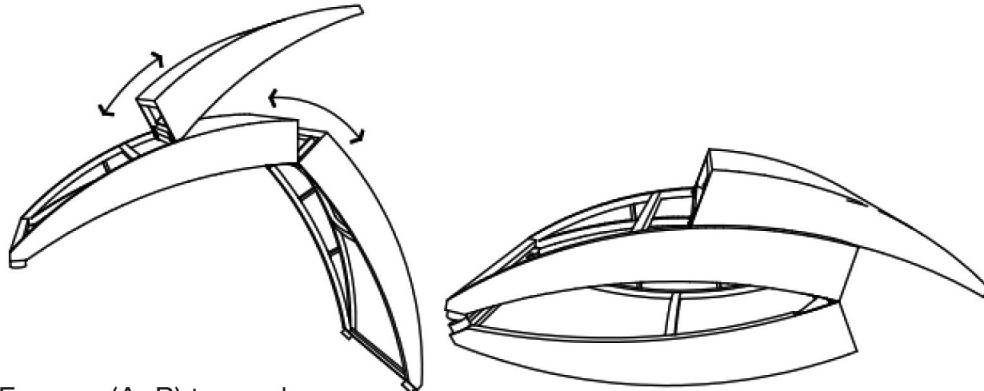
Tighten bolts halfway



# STEP 3



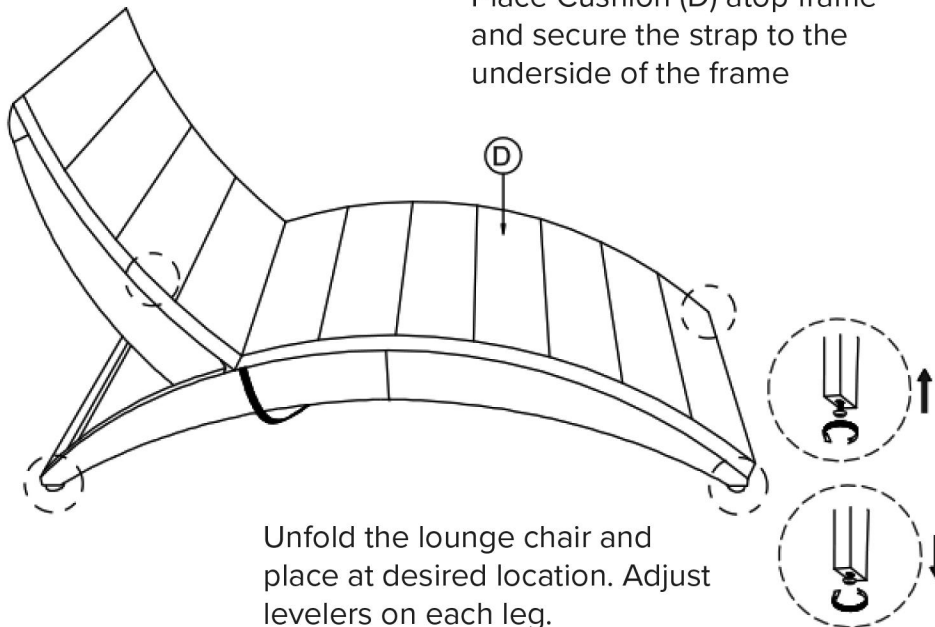
Fully tighten all bolts.



Fold Seat Frames (A, B) towards each other, then fold Back (C) over top so all bolts are fully visible.

# STEP 4

Place Cushion (D) atop frame and secure the strap to the underside of the frame



Unfold the lounge chair and place at desired location. Adjust levelers on each leg.

Enjoy.